



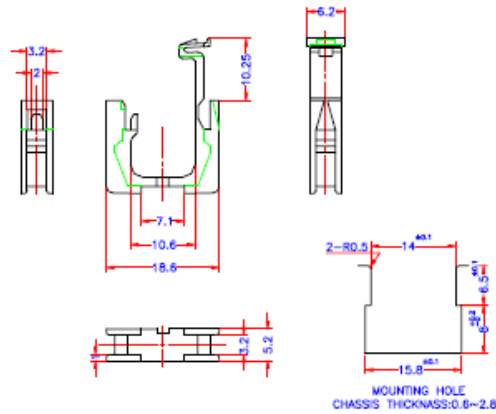
**CATALOGUS: FREROX**

**PLASTIC PARTS FOR ELECTRICAL EQUIPMENT**

**FREROX ELECTRONICS**

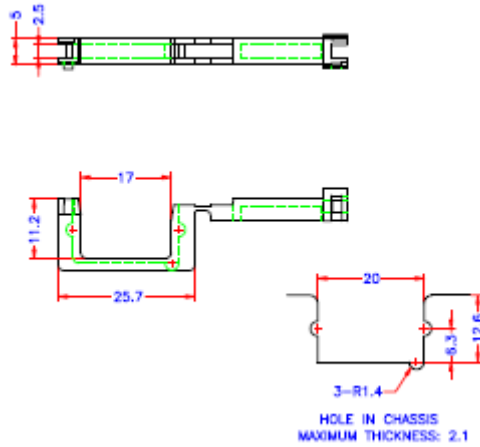
**New parts available now**

# SQA - 1 V 0



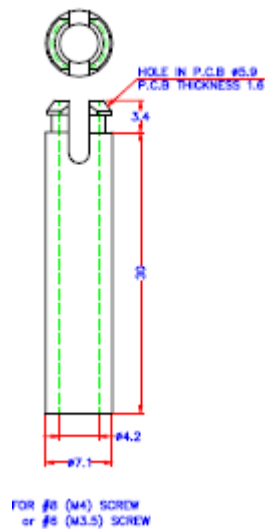
**TITLE: SQUARE SNAP BUSHING**

# SQJ - 1 ( B )



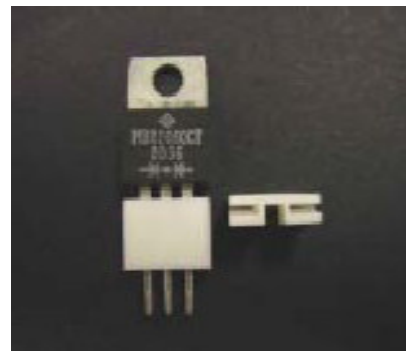
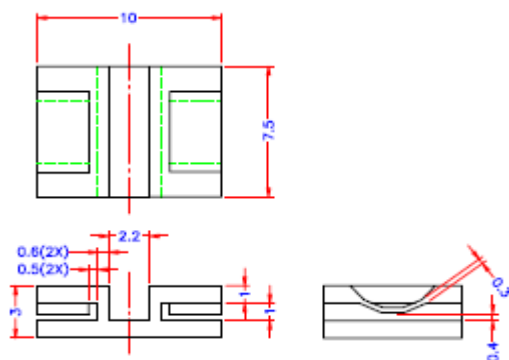
**TITLE: SQUARE SNAP BUSHING**  
**MATERIAL: NYLON 66 UL94V-2**  
**COLOR: BLACK**

# SS4 - 3 0



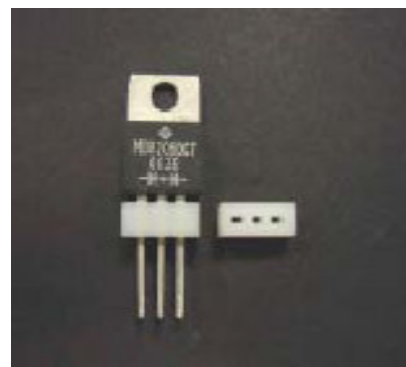
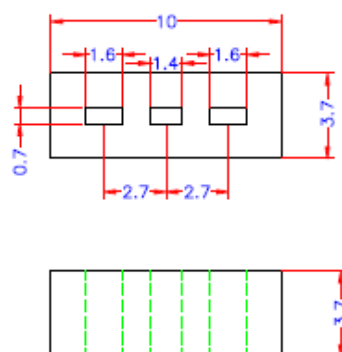
**TITLE: SPACER SUPPORT**  
**MATERIAL: NYLON 66 UL94V-2**

# TR - 18



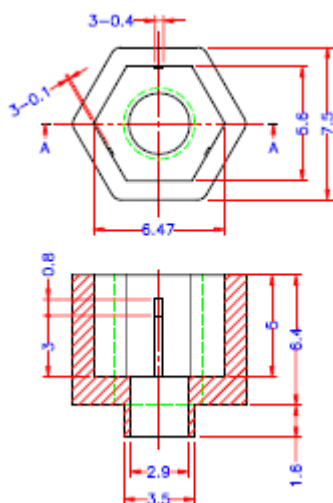
**TITLE:** TRANSISTOR HOUSING

# TR - 19



**TITLE:** TRANSISTOR HOUSING  
**MATERIAL:** NYLON 66 UL94V-2

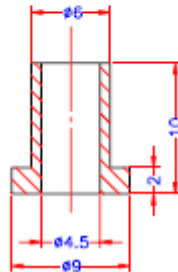
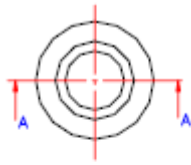
# TW - 72N46



**TITLE:** TRANSISTOR WASHERS  
**MATERIAL:** NY46 UL94V-0

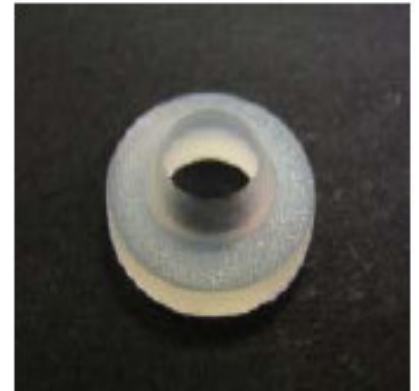
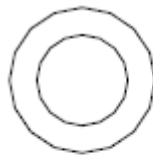


# T W - 7 3 V 0



**TITLE:** INSULATING-BUSH

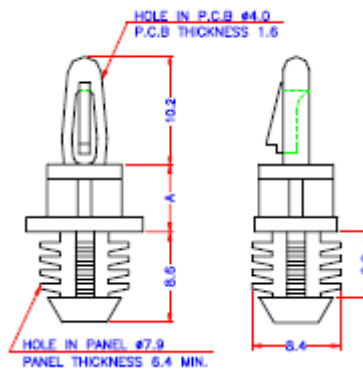
# T W C - 1



**TITLE:** WASHER  
**MATERIAL:** NYLON 66 UL94V-2  
**COLOR:** NATURAL

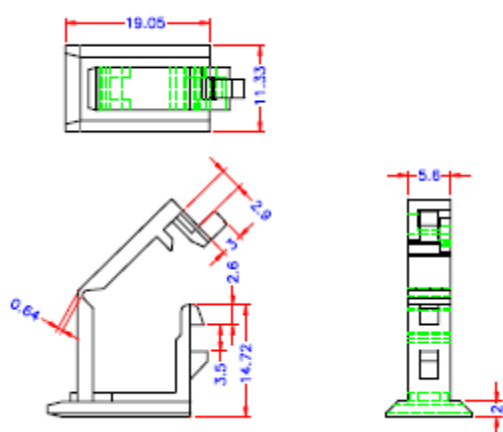
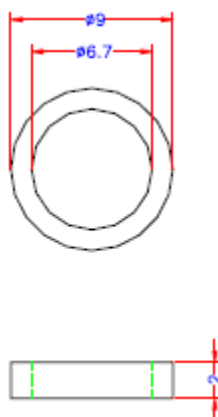
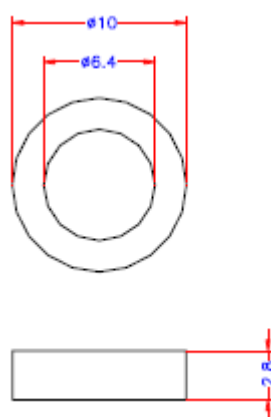
# W B H - H

PART NO.	A
WBH-11	11.1
WBH-18	15.9
WBH-19	19.1
WBH-22	22.2

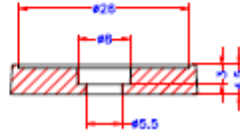
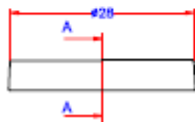
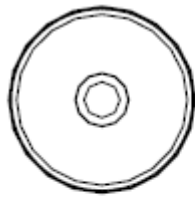


**TITLE:** SACER SUPPORT  
**MATERIAL:** NYLON 66 UL94V-2



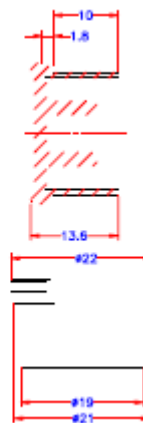
**W L F - 2****TITLE: WIRE MOUNT****MATERIAL: NYLON 66 UL94V-2****W S 9 - 6 . 7 - 2 P C****TITLE: LED RING****MATERIAL: PC UL94V-0****W S 1 0 6 4 2 8 V 0****TITLE: WASHER**

# WSU - 1 ( W )



**TITLE: PLASTIC WASHER**  
**MATERIAL: ABS**  
**COLOR: WHITE**

# XL R - 2 ( C )



**TITLE: BALANCED CONECTOR CAP**  
**MATERIAL: PE**  
**COLOR: COMPUTER**



