



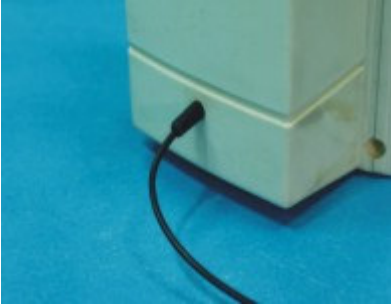
CATALOGUS: FREROX

PLASTIC PARTS FOR ELECTRICAL EQUIPMENT

FREROX ELECTRONICS

10

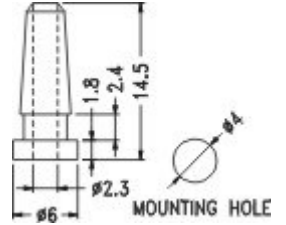
BUSHINGS



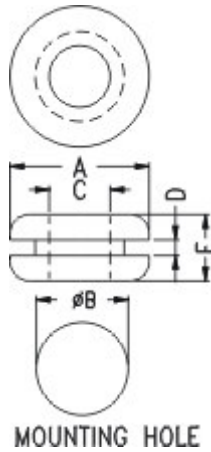
CABLE PROTECTOR

LGT-2

MATERIAL:T.P.E
 COLOR:BLACK
 UNIT:mm



PARTNO	PACKAGE
LGT-2	1000



PARTNO.	A	B	C	D	E	PACKAGE
GM-1	8.0	4.8	3.2	1.6	6.4	2000
GM-1A	9.5	6.4	4.0	1.6	6.4	
GM-2	10.8	8.0	4.5	1.6	4.5	1000
GM-3	14.4	9.5	6.3	1.6	7.0	
GM-3A	14.2	11.0	8.0	1.6	4.8	
GM-4	17.5	12.7	9.5	1.6	6.8	
GM-5	22.0	17.5	14.2	1.6	4.8	500
GM-6	22.0	19.0	16.0	1.6	5.5	
GM-6A	25.0	19.5	18.0	1.6	6.0	250
GM-7	31.4	25.2	18.5	1.6	8.0	
GM-8	19.5	14.0	6.0	1.0	7.0	1000
GM-9	15.9	12.7	9.5	1.6	6.4	
GM-11	7.9	4.8	3.2	1.6	4.8	
GM-15	10.8	8.0	5.0	1.6	4.5	
GM-18	13.0	8.4	5.5	3.3	6.3	
GM-30	13.3	9.0	5.8	2.0	6.2	

CABLE PROTECTOR

GM

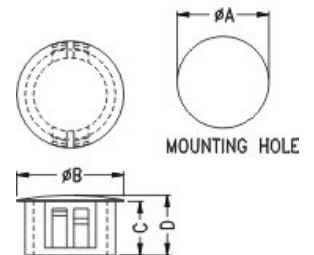
MATERIAL:NBR
 COLOR:BLACK
 UNIT:mm



BUSHING

M08

MATERIAL:NYLON 66(UL)
 FLAME CLASS:94V-2
 COLOR:BLACK/WHITE
 UNIT:mm

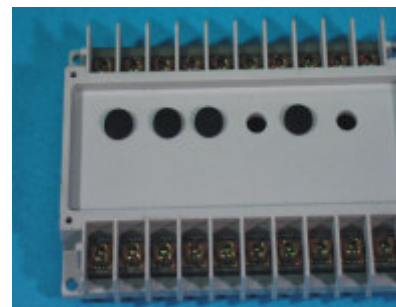
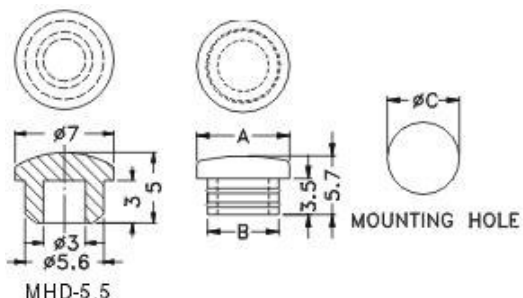


PART NO	A	B	C	D	MAX THICKNESS	PACKAGE
M08	8.0	9.5	6.4	7.6	1.6	1000
★M09A	9.0	11.5	8.6	10.1	3.3	
M09	9.5	11.9	8.6	10.1		
M13	12.7	14.6	9.0	10.1		500
M16	16.0	18.7	9.3	10.6		
M19	19.0	23.2	8.7	10.3		200
M22	22.2	25.4	9.9	11.0		
M25	25.4	28.4	9.6	11.0		
M30	30.2	34.2	10.0	11.3		

BUSHING

MHD

MATERIAL:T.P.E
 COLOR:BLACK
 MATERIAL:MHD-5.5=SILICON RUBBER
 COLOR:MHD-5.5=BLACK/COMPUTER/BLUE
 UNIT:mm

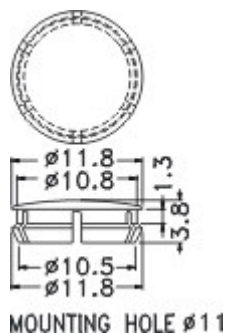


PART NO	A	B	C	PACKAGE
MHD-5	7.0	5.2	5.0	1000
MHD-6	8.0	6.2	6.0	
MHD-7	9.0	7.2	7.0	
MHD-8	10.0	8.2	8.0	

BUSHING

MHE-11

MATERIAL:NYLON 66(UL)
 FLAME CLASS:94V-2
 COLOR:BLUE/RED
 UNIT:mm

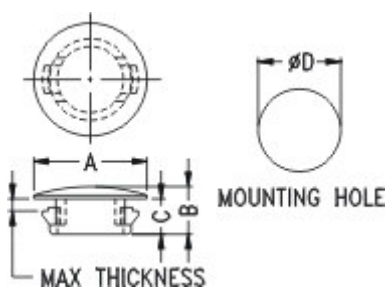


PART NO.	PACKAGE
MHE-11	500

BUSHING

M04

MATERIAL:NYLON 66(UL)
 FLAME CLASS:94V-2
 COLOR:BLACK
 UNIT:mm



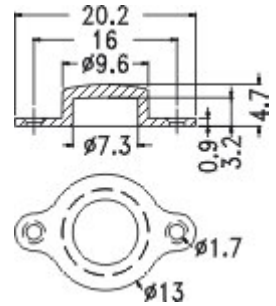
PART NO.	A	B	C	D	MAX THICKNESS	PACKAGE
★ M04	6.35	5.5	4.5	4.7~4.9	1.6	2000
★ M06	7.6	5.6		6.3~6.5		
M09S	13.0	5.5	4.1	9.5	1.4	1000
M16S	20.0	7.7	6.5	15.9~16	2.0	



PRODUCT FOOT

IRCV-1

MATERIAL:PC
 FLAME CLASS:94V-2
 COLOR:PURPLE
 UNIT:mm



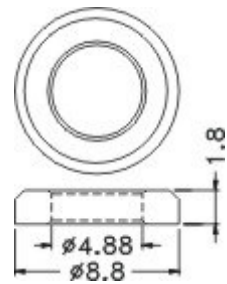
PARTNO	PACKAGE
IRCV-1	1000



FOOT

RSUA-1B

MATERIAL:POM
 FLAME CLASS:94HB
 COLOR:BLACK
 UNIT:mm



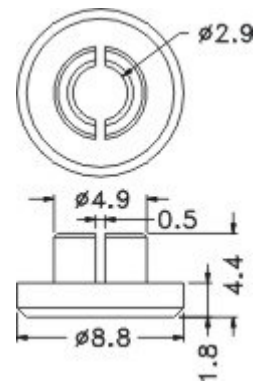
PARTNO	PACKAGE
RSUA-1B	1000



FOOT

RSUA-1A

MATERIAL:POM
 FLAME CLASS:94HB
 COLOR:BLACK
 UNIT:mm

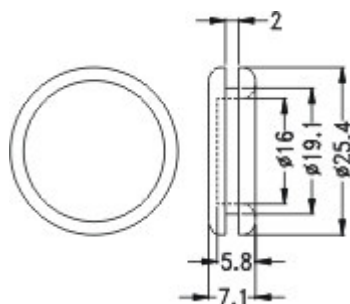


PARTNO	PACKAGE
RSUA-1A	1000

RUBBER BUSHING

DGB-19

MATERIAL:RUBBER
 COLOR:BLACK
 UNIT:mm

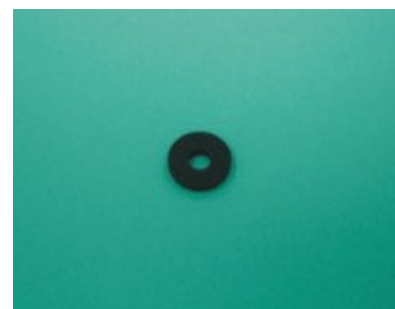
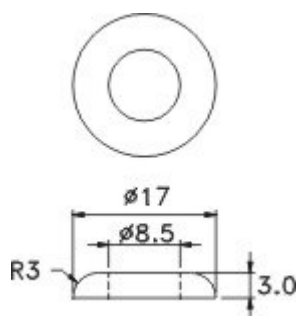


PARTNO	PACKAGE
DGB-19	1000

RUBBER BUSHING

RWF8.5-3N

MATERIAL:RUBBER
 COLOR:BLACK
 UNIT:mm



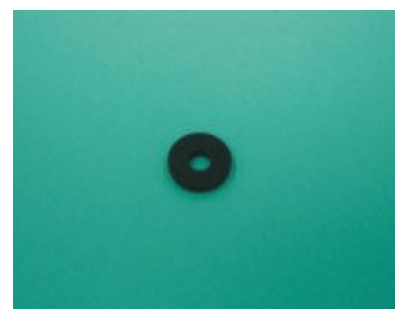
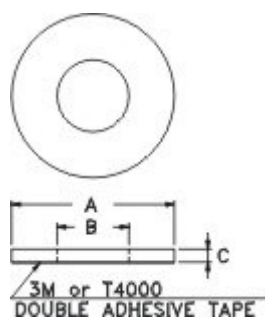
PARTNO
RWF8.5-3N

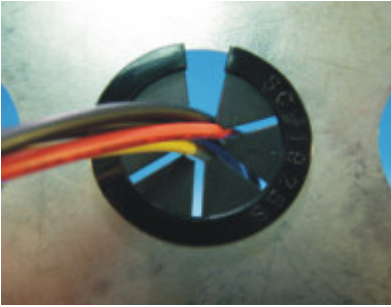
RUBBER WASHER

RWF

MATERIAL:RUBBER
 COLOR:BLACK
 UNIT:mm

PART NO.	A	B	C
RWF3.5-0.5	8.0	3.5	0.5
RWF3.5-1	8.0	3.5	1.0
RWF3.5-1.5	11.0	3.5	1.5
RWF18-8.5-1.5	18.0	8.5	1.5
RWF25-2	25.0	11.0	2.0
RWF20-1.5	20.0	6.0	1.5
RWF40-2	40.0	12.0	2.0
RWF43-2	43.0	30.1	2.0

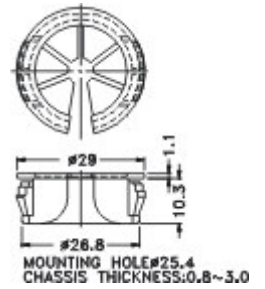




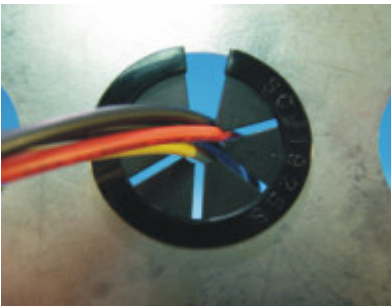
PANEL BUSHING

SC-1925A

MATERIAL: NYLON 66(UL)
 FLAME CLASS: 94V-2
 COLOR: BLACK
 UNIT: mm



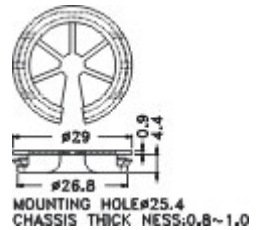
PART NO.	PACKAGE
SC-1925A	250



BUSHING

SC-1925S

MATERIAL: NYLON 66(UL)
 FLAME CLASS: 94V-2
 COLOR: BLACK
 UNIT: mm



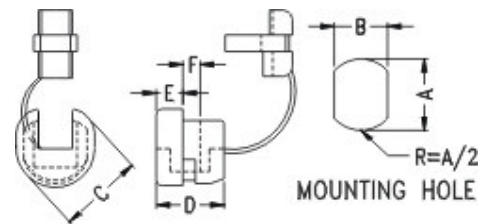
PART NO.	PACKAGE
SC-1925S	250



WIRE BUSHING

SB4F

MATERIAL: NYLON 66(UL)
 FLAME CLASS: 94V-2
 COLOR: BLACK
 UNIT: mm



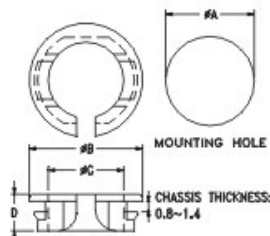
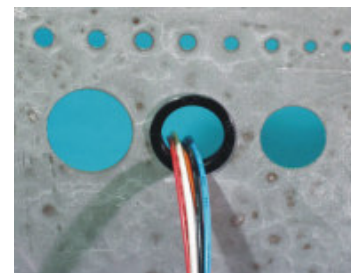
PART NO	WILL FIT THESE CABLE		CHASSIS DIMENSION			CHASSIS THICKNESS			DIMENSION			PACKAGE
	UL/CSA DESCRIPTION	SIZE	A	B	F	C	D	E				
SB4F-2	SPT-2	4.1X8.6	12.7	11.8	1.8~2.5	14.5	12.4	4.0	500			
SB5R-2	SJT3C#16	8.2~9.2	12.7	11.5	0.8~1.6	14.0	11.1	4.5				
SB5F-4	SPT-3	5.0X10.0	14.3	13.4	0.8~1.6	15.4	15.4	6.2	250			
SB6R-6	SJT3C#16	8.2~9.2	15.9	14.0	0.8~1.6	17.7	14.6	5.6				
SB8R-2	SJT3C#14 #18 24~30PCS	12~15.2	22.0	21.7	1.8~2.5	23.6	20.5	8.4	100			

BUSHING

NB-07A

MATERIAL:NYLON 66(UL)
 FLAME CLASS:94V-2/94V-0
 COLOR:BLACK
 UNIT:mm

PART NO.	A	B	C	D	PACKAGE
NB-07A	7.0	10.4	6.0	4.8	1000
NB-12A	12.7	16.2	10.8	5.2	500
NB-16A	16.0	19.3	13.0	5.2	
NB-19A	19.0	22.9	15.6	5.5	
NB-21A	21.0	25.0	19.0	5.6	
NB-22A	22.0	25.8	19.3	5.5	
NB-23A*	23.0	26.4	20.4	5.5	
NB-24A	24.0	27.0	20.8	5.3	
NB-27A	27.0	34.6	23.0	6.0	250
NB-29A	29.0	34.0	26.3	7.0	

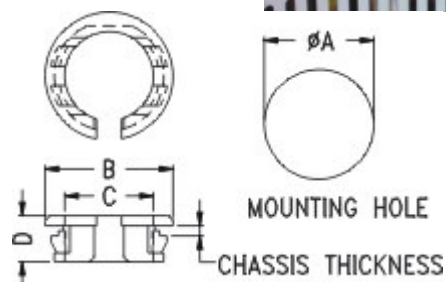
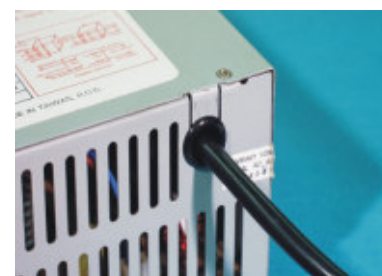


BUSHING

NB-09

MATERIAL:NYLON 66(UL)
 FLAME CLASS:94V-2/94V-0
 COLOR:BLACK
 UNIT:mm

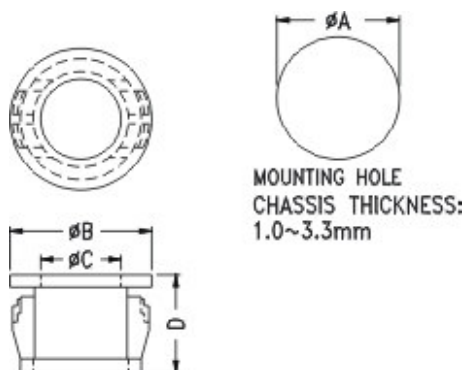
PARTNO	A	B	C	D	CHASSIS THICKNESS	PACKAGE
NB-09	9.5	12.4	7.6	6.0	0.8~1.6	1000
NB-12	12.7	16.8	10.8	7.3		500
NB-16	15.9	20.3	14.1	7.3		
NB-19	19.0	22.5	16.5	7.3		
NB-22	22.0	26.0	20.0	7.3		
NB-25	25.4	28.6	22.0	7.9		



BUSHING

NB-1419

MATERIAL:NYLON 66(UL)
 FLAME CLASS:94V-2
 COLOR:BLACK
 UNIT:mm



PART NO.	A	B	C	D	PACKAGE
NB-1419	19.0	21.8	14.3	11.3	200
NB-1722	22.2	25.1	18.6	11.2	
NB-1925	25.4	28.0	19.4	11.2	
NB-2430	30.2	34.0	24.0	11.7	
NB-2535	35.0	37.8	25.8	11.3	

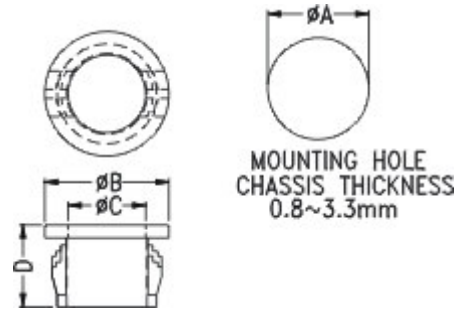


BUSHING

312-3

MATERIAL:NYLON 66(UL)
 FLAME CLASS:94V-2
 COLOR:BLACK
 UNIT:mm

PARTNO	A	B	C	D	PACKAGE
312-3	8.0	9.5	5.2	8.2	1000
375-4	9.5	12.0	6.6	10.3	
0811	11.1	13.5	8.3	10.3	
0813	13.0	15.1	9.8	10.3	
1216	16.0	18.2	12.8	10.3	

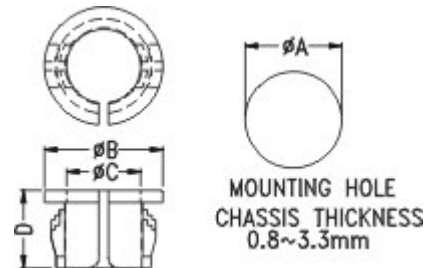


BUSHING

0813C

MATERIAL:NYLON 66(UL)
 FLAME CLASS:94V-2
 COLOR:BLACK
 UNIT:mm

PARTNO	A	B	C	D	PACKAGE
0813C	12.7	15.0	9.7	9.8	1000
1216C	15.9	18.4	12.8	10.4	
1419C	19.0	20.7	15.1	10.4	

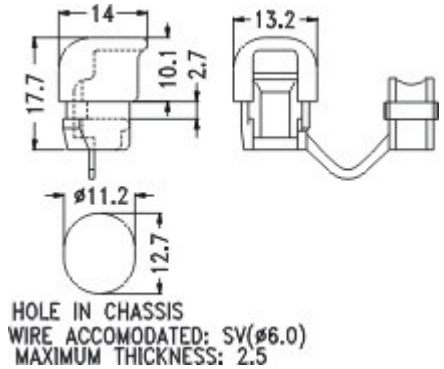


WIRE BUSHING

SB5L-4

MATERIAL:NYLON 66(UL)
 FLAME CLASS:94V-2
 COLOR:BLACK
 UNIT:mm

PARTNO	PACKAGE
SB5L-4	1000

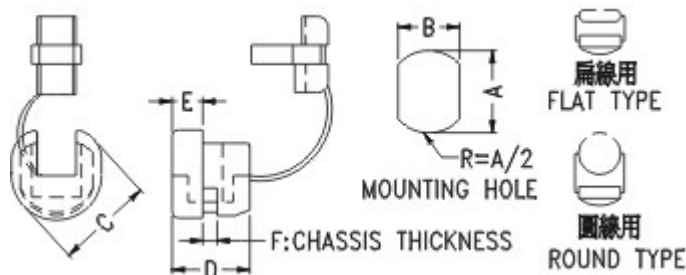




WIRE BUSHING

2P-4

MATERIAL: NYLON 66(UL)
 FLAME CLASS: 94V-2
 COLOR: BLACK
 UNIT: mm

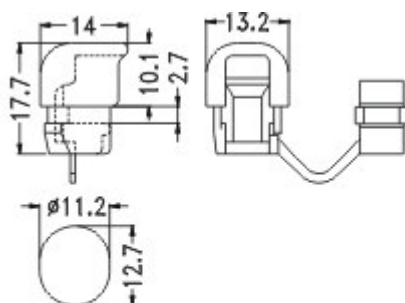


PART NO	WILL FIT THESE CABLE		CHASSIS DIMENSION		CHASSIS THICKNESS	DIMENSION			SECTION SHAPE	PACKAGE
	UL/CSA DESCRIPTION	SIZE	A	B	F	C	D	E		
2P-4	SPT-1	3X5.6	9.9	8.7	0.8~1.6	10.8	10.4	4.0	FLAT TYPE	1000
3P-4	SPT-1	3X5.6	11.0	9.9	0.8~1.6	12.1	10.4	4.0		
3W-1	SPT-1	3X5.6	11.0	9.9	1.9~2.5	12.5	10.4	3.2		
4N-4	SPT-2	3.71X7.6	12.7	11.8	0.8~1.6	13.9	10.4	4.0		
		3.8X7.6	13.1							
4K-4	SPT-2	3.71X7.6	12.7	11.8	1.9~2.5	13.9	10.5	4.0	ROUND TYPE	500
		3.8X7.6	13.1							
5N-4	SVT	6.4~7.4	12.7	11.5	0.8~1.6	14.2	10.9	4.2		
5P-4	SVT	6.4~7.4	12.7	11.5	1.9~2.5	14.2	10.9	4.2		
6N-4	SJT3C#18	7.6	15.9	14.0	0.8~1.6	17.8	14.8	5.6	ROUND TYPE	500
6P-4	SJT3C#18	7.6	15.9	14.0	1.9~3.2	17.6	14.8	5.6		
6N3-4	SJT3C#16	8.2~9.2	15.9	14.0	0.8~1.6	17.8	15.0	5.6		
6P3-4	SJT3C#16	8.2~9.2	15.9	14.0	1.9~3.2	17.3	14.8	5.8		
7N-2	SJT3C#14	9.2~10.5	19.0	16.5	0.8~1.6	21.5	19.1	7.8	ROUND TYPE	100
		11.0	19.8							
7P-2	SJT3C#14	9.2~10.5	19.0	16.5	1.9~3.2	21.7	19.4	7.8		
		11.0	19.8							

WIRE BUSHING

SB4L-4

MATERIAL: NYLON 66(UL)
 FLAME CLASS: 94V-2
 COLOR: BLACK
 UNIT: mm



HOLE IN CHASSIS
 WIRE ACCOMODATED: SPT-2(3x6.6)
 MAXIMUM THICKNESS: 2.5



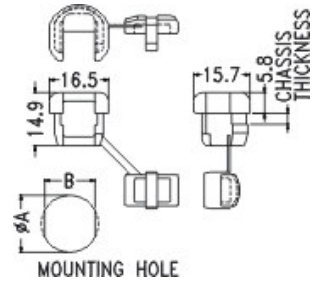
PARTNO	PACKAGE
SB4L-4	1000



CABLE BUSHING

SB6P4

MATERIAL: NYLON 66(UL)
 FLAME CLASS: 94V-2
 COLOR: BLACK
 UNIT: mm



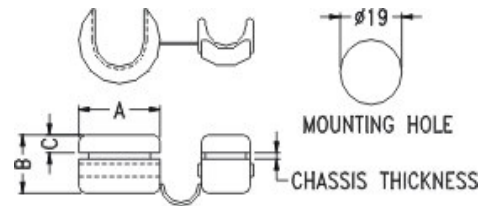
PART NO.	WILL FIT THESE CABLE			CHASSIS DIMENSION		CHASSIS THICKNESS
	UL TYPE DESIGNATION	AWG CONDUCTORS	APPROXIMATE SIZE	A	B	
SB6P4-4	SPT-2	18/3	3.0X7.6	15.9	14.0	2.5
		16/3	4.1X10.4			



CABLE BUSHING

SB7R

MATERIAL: NYLON 66(UL)
 FLAME CLASS: 94V-2
 COLOR: BLACK
 UNIT: mm



PART NO	WILL FIT THESE CABLE		CHASSIS THICKNESS	DIMENSION			PACKAGE
	UL/CSA DESCRIPTION	SIZE		A	B	C	
SB7R-7	SJT3C#10	14.0~17.0	0.8~1.6	25.0	17.0	4.5	1000
SB7R-7SP	SJT3C#10	12.0~15.2	0.8~1.6	25.3	17.8	4.5	