



CATALOGUS: FREROX

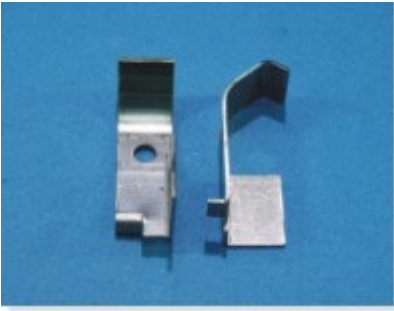
PLASTIC PARTS FOR ELECTRICAL EQUIPMENT

FREROX ELECTRONICS

6

METAL PARTS

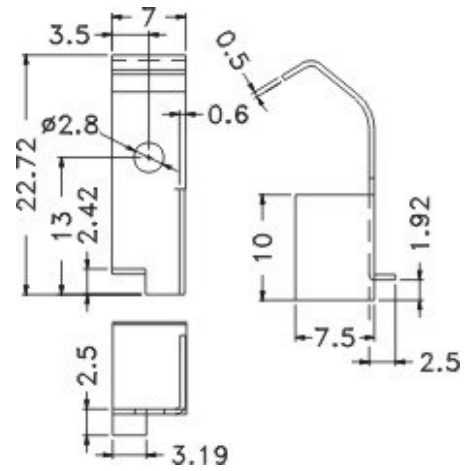
CONTACTS



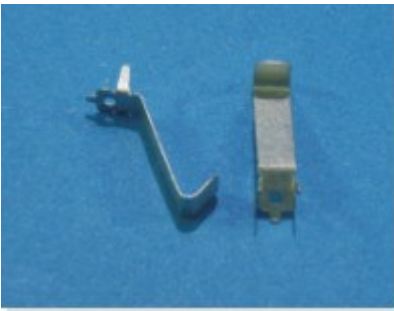
GROUND CONTACT

TRMC-12

MATERIAL:SUS301
UNIT:mm



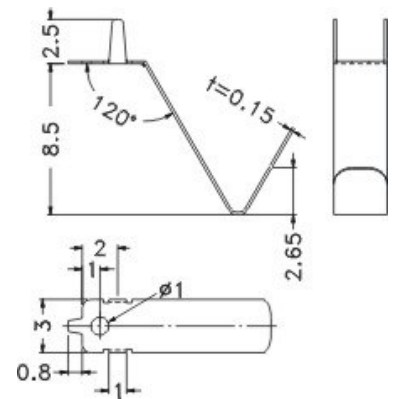
PARTNO	PACKAGE
TRMC-12	1000



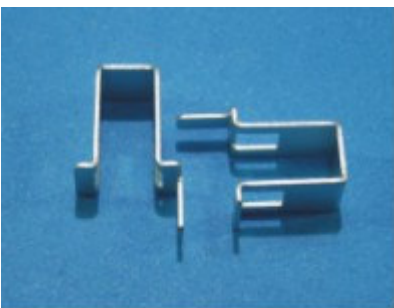
GROUND CONTACT

TRMC-11

MATERIAL:TIN PLATED PHOSPHOR
UNIT:mm



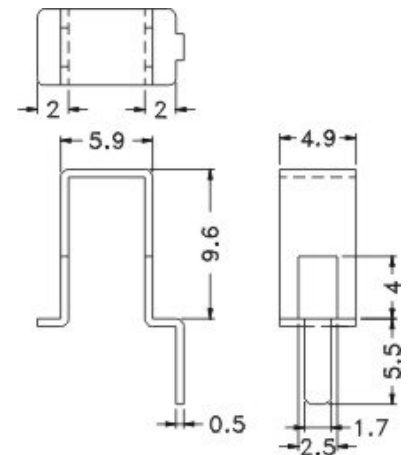
PARTNO	PACKAGE
TRMC-11	1000



GROUND CONTACT

TRMC-10

MATERIAL:TIN PLATED SPCC
UNIT:mm

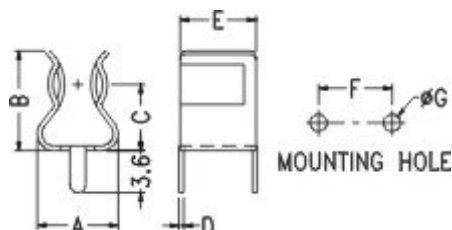


PARTNO	PACKAGE
TRMC-10	1000

FUSE CLIP

FUC-03

MATERIAL:BRASS
FINISH:TIN PLATED
UNIT:mm

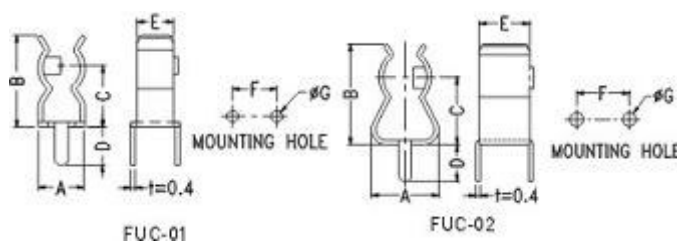
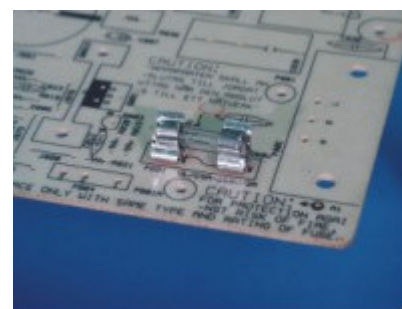


PARTNO	A	B	C	D	E	F	G	PACKAGE
FUC-03	6.7	8.3	5.5	0.4	6.3	6.0	1.4	1000
FUC-03A	6.4	8.8	5.5	0.5	6.3	6.7	1.7	
FUC-04	8.1	10.9	6.8	0.5	7.0	7.5	1.7	

FUSE CLIP

FUC

FUC-01 MATERIAL:PHOSPHOR BRONZE
FUC-02 MATERIAL:C2680
FINISH:TIN PLATED
UNIT:mm

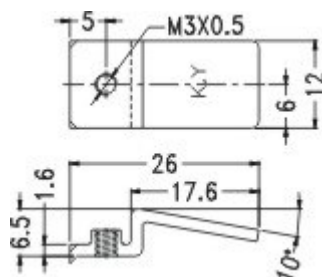


PARTNO	A	B	C	D	E	F	G	PACKAGE
FUC-01	4.0	7.8	5.2	3.3	3.1	3.8	1.2	1000
FUC-02	6.4	9.5	6.5	3.5	4.8	5.1	1.3	

TRANSISTOR CLIP

TRK-2

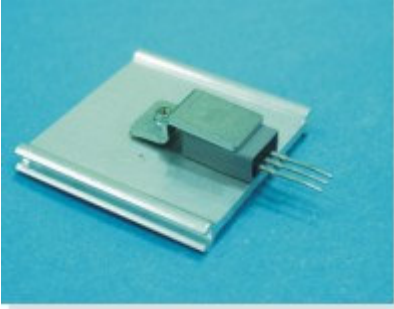
MATERIAL:ZINC PLATED STEEL
UNIT:mm



PARTNO	PACKAGE
TRK-2	250

FREROX PLASTIC COMPONENTS

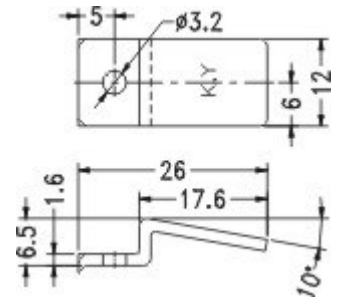
METAL PARTS CONTACTS



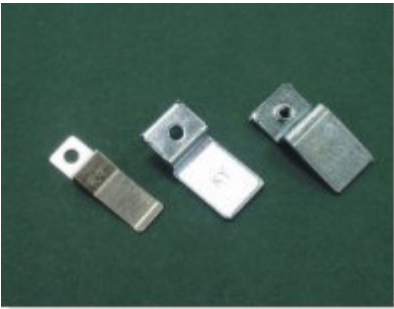
TRANSISTOR CLIP

TRK-1

MATERIAL:ZINC PLATED STEEL
UNIT:mm



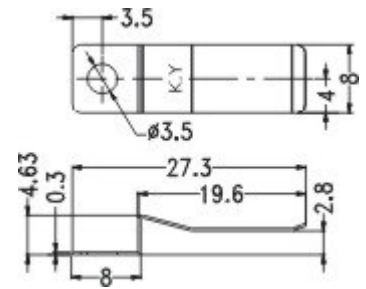
PARTNO	PACKAGE
TRK-1	250



TRANSISTOR CLIP

TRK-6

MATERIAL:STAINLESS-430
UNIT:mm



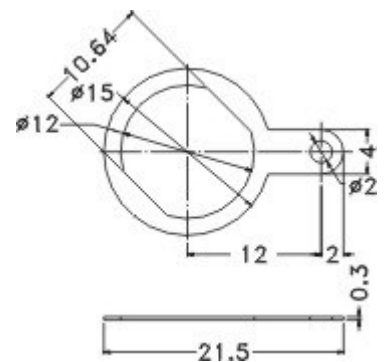
PARTNO	PACKAGE
TRK-6	250



METAL GROUND-LID

GND-24

MATERIAL:TIN PLATED BRASS
UNIT:mm

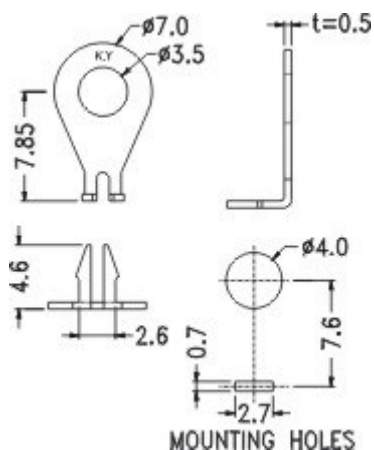


PARTNO	PACKAGE
GND-24	2000

METAL GROUND-LID

GND-23

MATERIAL:TIN PLATED BRASS
UNIT:mm

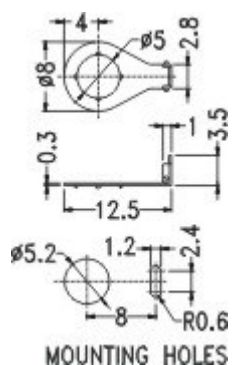


PARTNO	PACKAGE
GND-23	2000

METAL GROUND LID

GND-20

MATERIAL:PHOSPHOR BRONZE
NICKEL PLATED
UNIT:mm

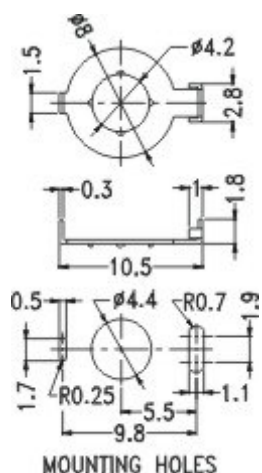


PARTNO	PACKAGE
GND-20	2000

METAL GROUND LID

GND-19A

MATERIAL:PHOSPHOR BRONZE
TIN PLATED
UNIT:mm



PARTNO	PACKAGE
GND-19A	1000

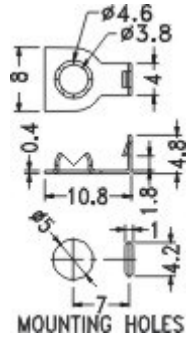


METAL GROUND LID

GND-12

MATERIAL:TIN PLATED BRASS
UNIT:mm

PARTNO	PACKAGE
GND-12	1000

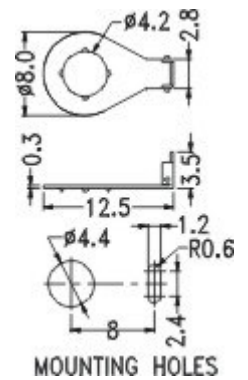


METAL GROUND LID

GND-8

MATERIAL:PHOSPHOR BRONZE WITH NICKEL PLATED
UNIT:mm

PARTNO	PACKAGE
GND-8	1000

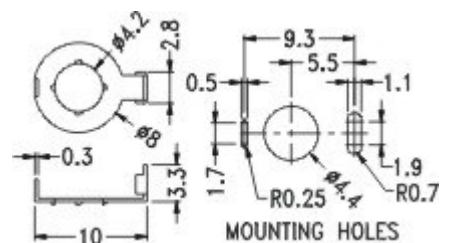


METAL GROUND LID

GND-7

MATERIAL:PHOSPHOR BRONZE WITH NICKEL PLATED
UNIT:mm

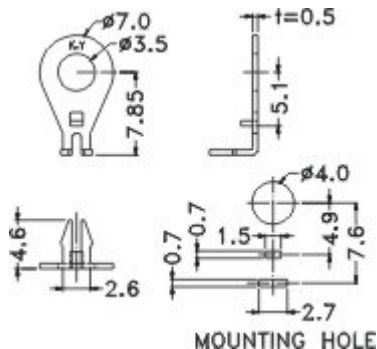
PARTNO	PACKAGE
GND-7	1000



METAL GROUND LID

GND-15

MATERIAL:TIN PLATED BRASS
UNIT:mm

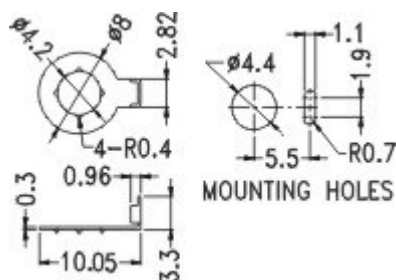


PARTNO	PACKAGE
GND-15	2000

METAL GROUND LID

GND-14

MATERIAL:PHOSPHOR BRONZE
WITH NICKEL PLATED
UNIT:mm

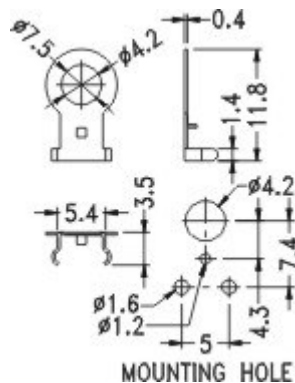


PARTNO	PACKAGE
GND-14	1000

METAL GROUND LID

GND-13

MATERIAL:TIN PLATED BRASS
UNIT:mm



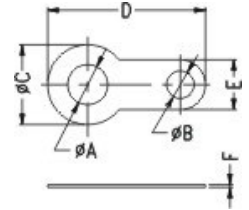
PARTNO	PACKAGE
GND-13	1000



METAL GROUND LID

GND-H

MATERIAL: NICKEL PLATED BRASS
UNIT: mm



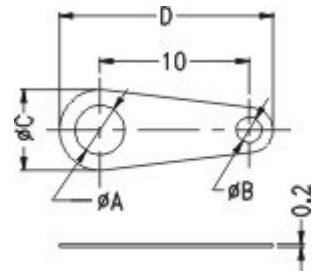
PART NO	A	B	C	D	E	F	PACKAGE
GND-2	3.2	2.1	6.4	12.6	4.0	0.25	2000
GND-3	4.3	2.0	8.0	17.7	4.6	0.3	
GND-4	5.2	2.1	9.9	19.6	5.1	0.3	
GND-5	8.3	1.9	10.0	15.0	4.0	0.3	1000
GND-6	9.7	2.0	13.0	21.5	4.0	0.4	
GND-10	6.3	2.1	10.0	19.9	5.1	0.3	2000
GND-11	9.0	2.0	13.0	30.0	4.0	0.3	1000
GND-17	4.2	1.6	6.8	12.9	3.2	0.4	2000
GND-21	3.7	1.6	6.3	12.6	3.2	0.4	



METAL GROUND LID

GND

MATERIAL: NICKEL PLATED BRASS
UNIT: mm



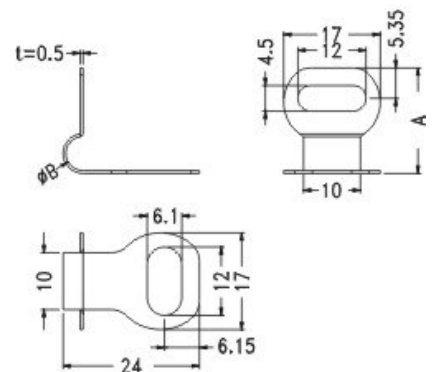
PART NO	A	B	C	D	PACKAGE
GND-1	3.2	1.6	5.5	14.3	2000
GND-3A	4.1	2.4	6.5	15.5	



METAL GROUND LID

KMCC

MATERIAL: SPTE
UNIT: mm



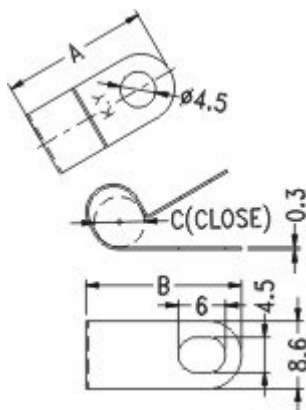
PART NO.	A	B	PACKAGE
KMCC-1	18.55	6	500
KMCC-2	19.6	8	

METAL CABLE CLAMP

KTCC

MATERIAL:STAINLESS-430

UNIT:mm



PARTNO	A	B	C	PACKAGE
KTCC-3	17.20	17.60	3.0	1000
KTCC-5	17.90	18.70	4.8	
KTCC-6	18.70	19.80	6.4	
KTCC-9	18.65	20.62	9.0	

PANEL PROTECTION

KG-006N

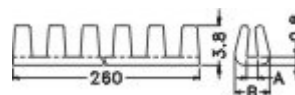
MATERIAL:NYLON 66(UL)

COLOR:CLASS:94V-2

COLOR:NATURAL

UNIT:mm

PART NO.	A	B	CHASSIS THICKNESS	PACKAGE
KG-006N	0.6	3.1	0.5~0.7	500
KG-008N	0.8	3.1	0.7~0.9	
KG-010N	1.0	3.3	0.9~1.1	
KG-012N	1.2	3.5	1.1~1.3	
KG-014N	1.4	3.65	1.3~1.5	
KG-016N	1.6	3.9	1.4~1.7	
KG-020N	2.0	4.3	1.8~2.0	
KG-030N	3.0	6.2	2.5~3.0	



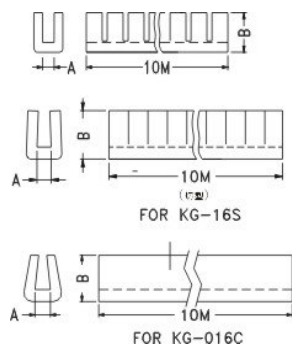
PANEL PROTECTION

KG

MATERIAL:PE

COLOR:NATURAL

UNIT:mm



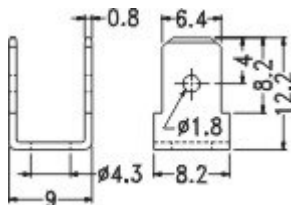
PART NO	A	B	CHASSIS THICKNESS	PACKAGE
KG-010	1.1	5.2	0.9~1.1	10M
KG-012	1.3	5.4	1.1~1.3	
KG-016	1.7	5.4	1.45~1.75	
KG-016S	1.7	5.4	1.45~1.75	
KG-016C	1.7	5.4	1.45~1.75	
KG-020	2.2	5.4	1.85~2.2	
KG-024	2.7	5.7	2.25~2.6	
KG-030	3.3	6.1	2.85~3.25	
KG-040	4.3	6.5	3.85~4.25	

SOLDER CONTACT

PC2L250-90

MATERIAL:TIN PLATED BRASS

UNIT:mm



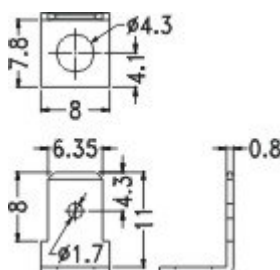
PARTNO	PACKAGE
PC2L250-90	1000

SOLDER CONTACTS

PC3L25004

MATERIAL:TIN PLATED BRASS

UNIT:mm



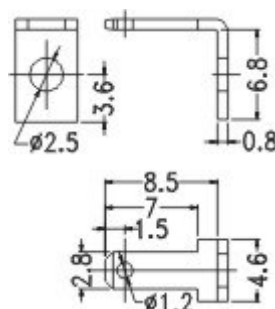
PARTNO	PACKAGE
PC3L25004	1000

SOLDER CONTACTS

PC3L110028

MATERIAL:TIN PLATED BRASS

UNIT:mm



PARTNO	PACKAGE
PC3L110028	1000

FREROX PLASTIC COMPONENTS

METAL PARTS CONTACTS

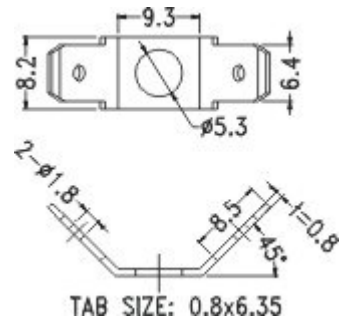


PART NO	PACKAGE
PC2L25005	1000

PCB CONTACT

PC2L25005

MATERIAL:TIN PLATED BRASS
UNIT:mm

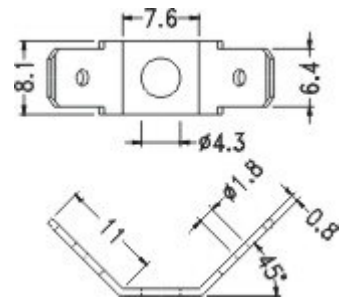


PART NO	PACKAGE
PC2L250	1000

PCB CONTACT

PC2L250

MATERIAL:TIN PLATED BRASS
UNIT:mm

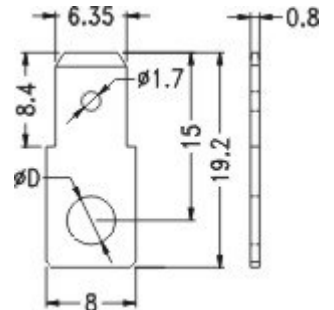


PART NO.	D	PACKAGE
PC11250	4.3	1000
PC1125003	3.2	
PC1125035	3.5	
PC1125005	5.3	

PCB CONTACT

PC11250

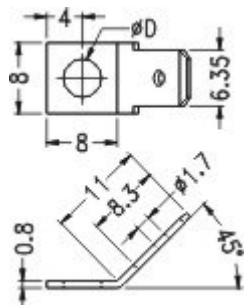
MATERIAL:TIN PLATED BRASS
UNIT:mm



PCB CONTACT

PC1L250

MATERIAL:TIN PLATED BRASS
UNIT:mm

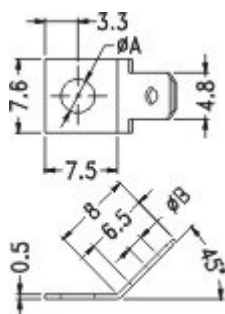


PART NO	D	PACKAGE
PC1L250	4.3	1000
PC1L25005	5.3	

PCB CONTACT

PC1V187

MATERIAL:TIN PLATED BRASS
UNIT:mm

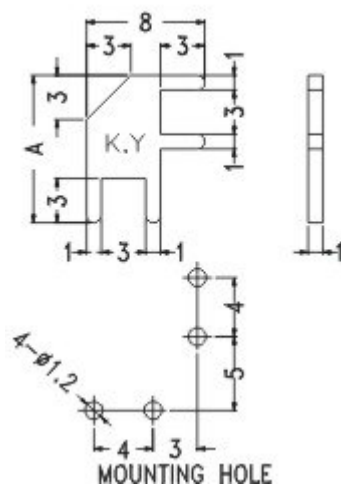


PART NO.	A	B	PACKAGE
PC1V187	3.5	1.4	1000
PC1V18704	4.3	1.7	
PC1V18705	5.3	1.4	

PCB CONTACT

PCLT

MATERIAL:TIN PLATED BRASS
UNIT:mm



PART NO.	A	PACKAGE
PCLT-10	10.0	1000
PCLT-11	11.0	

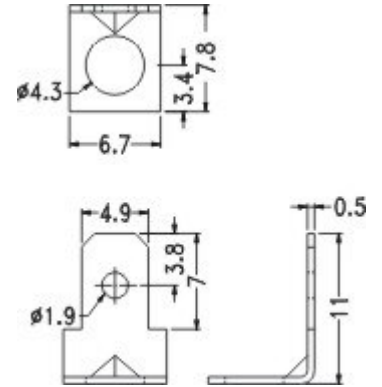


PARTNO	PACKAGE
PC1L18704	1000

PCB CONTACT

PC1L18704

MATERIAL:TIN PLATED BRASS
UNIT:mm

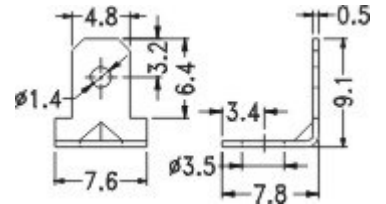


PARTNO	PACKAGE
PC1L187	1000

PCB CONTACT

PC1L187

MATERIAL:TIN PLATED BRASS
UNIT:mm

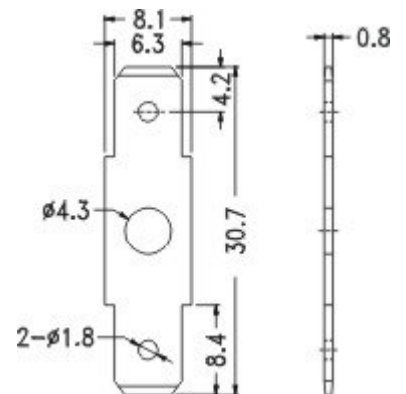


PARTNO	PACKAGE
PC12250	1000

PCB CONTACT

PC12250

MATERIAL:TIN PLATED BRASS
UNIT:mm

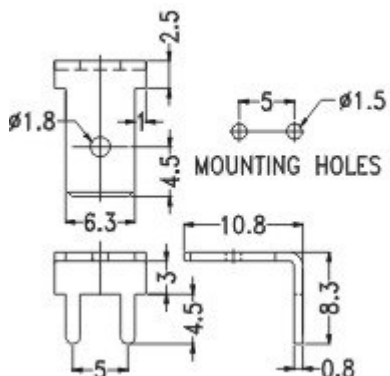


PCB CONTACT

PC1L250-1A

MATERIAL:TIN PLATED BRASS

UNIT:mm



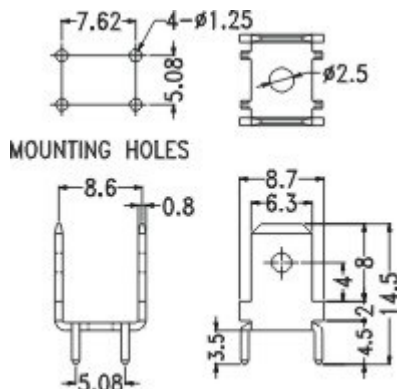
PART NO	PACKAGE
PC1L250-1A	1000

PCB CONTACT

PCU250

MATERIAL:TIN PLATED BRASS

UNIT:mm



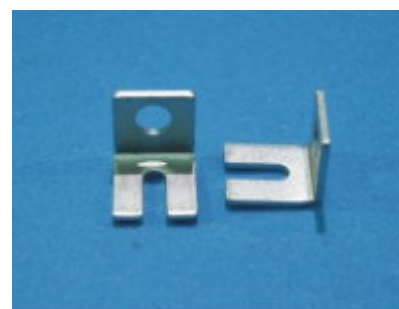
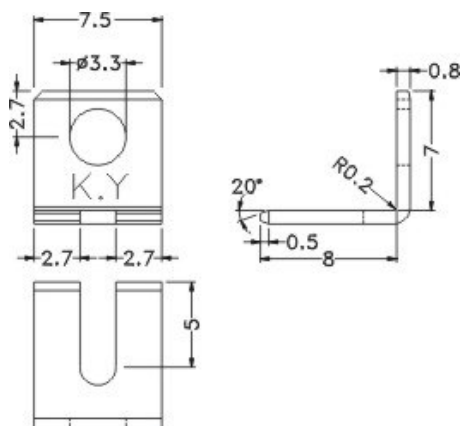
PART NO	PACKAGE
PCU250	1000

PCB CONTACT

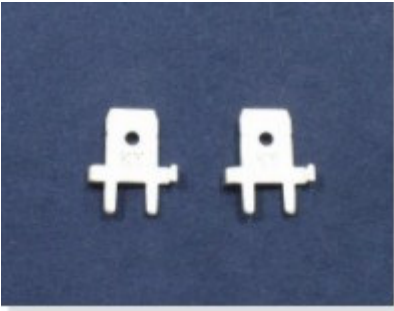
PCTL-3.5

MATERIAL:TIN PLATED BRASS

UNIT:mm



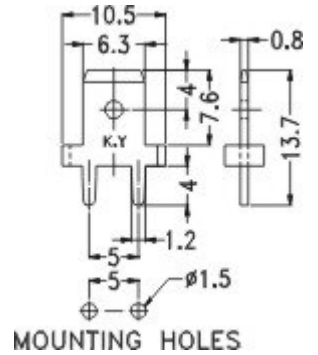
PART NO	PACKAGE
PCTL-3.5	1000



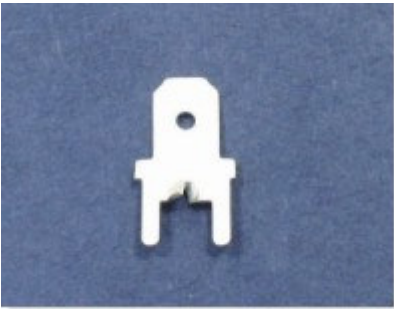
PCB CONTACT

PCR250-S

MATERIAL:TIN PLATED BRASS
UNIT:mm



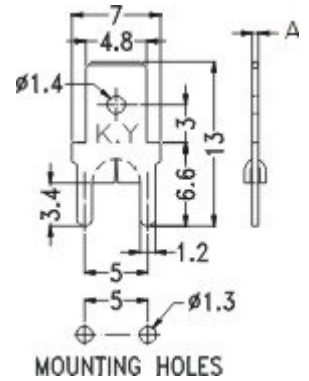
PARTNO	PACKAGE
PCR250-S	1000



PCB CONTACT

PCR187

MATERIAL:TIN PLATED BRASS
UNIT:mm



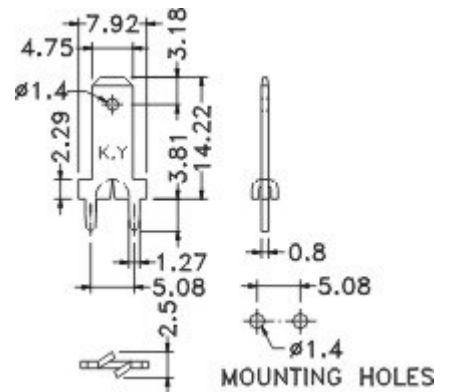
PART NO.	A	PACKAGE
PCR187	0.5	1000
PCR187(0.8)	0.8	



PCB CONTACT

PCRS187A

MATERIAL:TIN PLATED BRASS
UNIT:mm

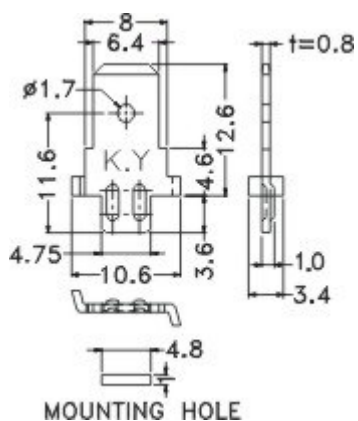


PARTNO	PACKAGE
PCRS187A	1000

SOLDER CONTACT

PCRN250

MATERIAL:TIN PLATED BRASS
UNIT:mm

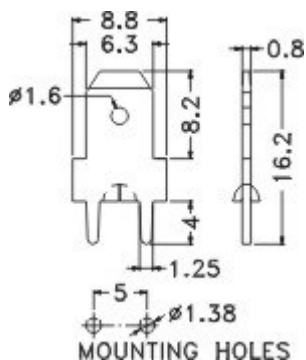


PARTNO	PACKAGE
PCRN250	1000

SOLDER CONTACT

PCRS250-1

MATERIAL:FOG TIN PLATED BRASS
UNIT:mm

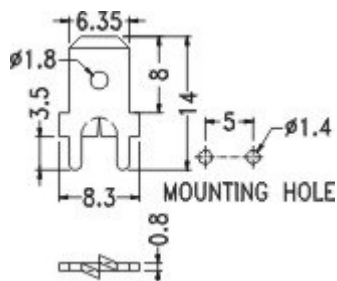


PARTNO	PACKAGE
PCRS250-1	1000

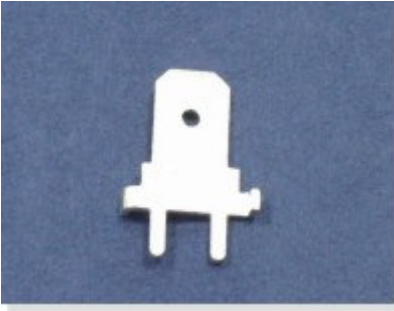
SOLDER CONTACT

PCRS250

MATERIAL:TIN PLATED BRASS
UNIT:mm



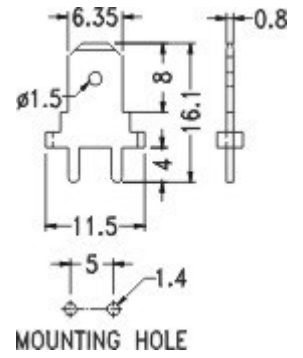
PARTNO	PACKAGE
PCRS250	1000



SOLDER CONTACT

PCR250

MATERIAL:TIN PLATED BRASS
UNIT:mm



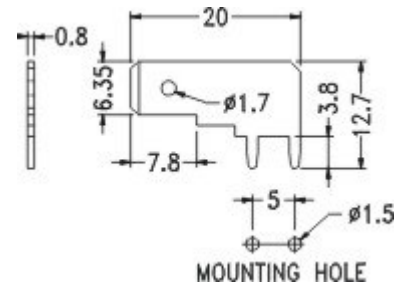
PARTNO	PACKAGE
PCR250	1000



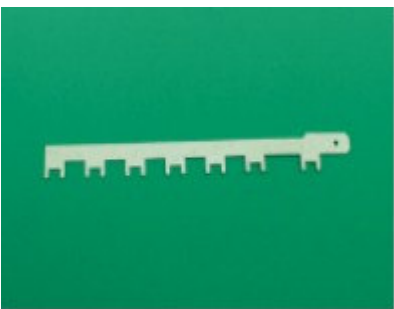
SOLDER CONTACT

PCFL250

MATERIAL:TIN PLATED BRASS
UNIT:mm



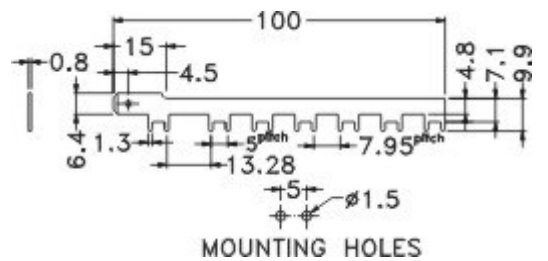
PARTNO	PACKAGE
PCFL250	1000



SOLDER CONTACT

PCF250-7

MATERIAL:TIN PLATED BRASS
UNIT:mm

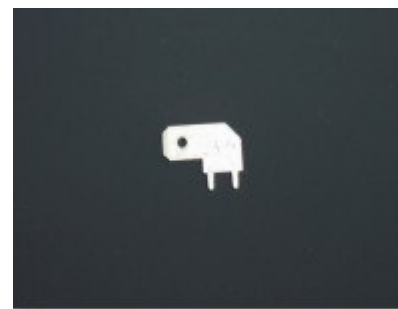
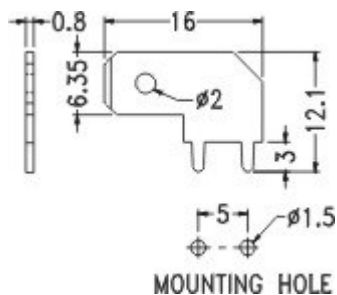


PARTNO	PACKAGE
PCF250-7	500

PCB CONTACT

PCF250

MATERIAL:TIN PLATED BRASS
UNIT:mm

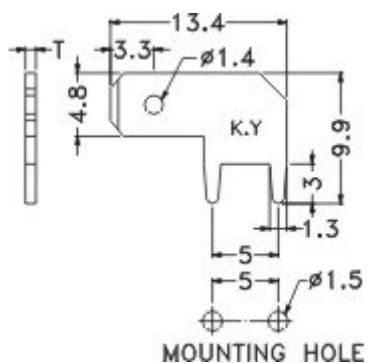


PARTNO	PACKAGE
PCF250	1000

PCB CONTACT

PCF187

MATERIAL:TIN PLATED BRASS
UNIT:mm

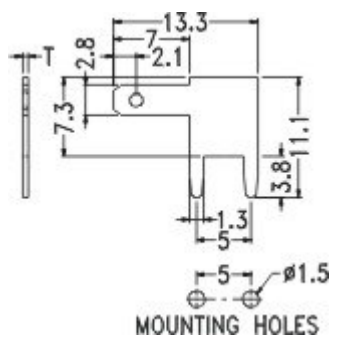


PARTNO	T	PACKAGE
PCF187(5)	0.5	1000
PCF187	0.8	

PCB CONTACT

PCF-110

MATERIAL:TIN PLATED BRASS
UNIT:mm



PARTNO	T	PACKAGE
PCF110	0.5	1000
PCF1108	0.8	

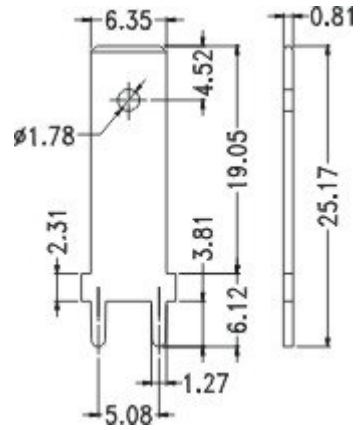


PARTNO	PACKAGE
PC250-4	1000

PCB CONTACT

PC250-4

MATERIAL:TIN PLATED BRASS
UNIT:mm

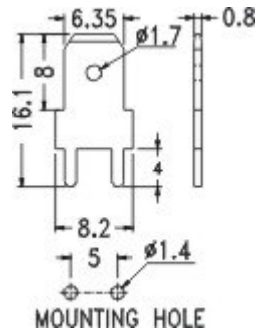


PARTNO	PACKAGE
PC250	1000

PCB CONTACT

PC250

MATERIAL:TIN PLATED BRASS
UNIT:mm

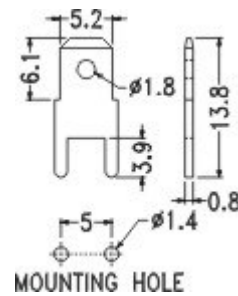


PARTNO	PACKAGE
PC205	1000

PCB CONTACT

PC205

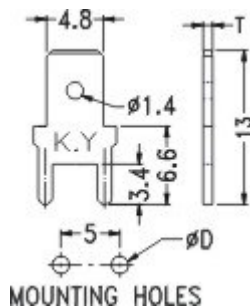
MATERIAL:TIN PLATED BRASS
UNIT:mm



PCB CONTACT

PC187

MATERIAL:TIN PLATED BRASS
UNIT:mm

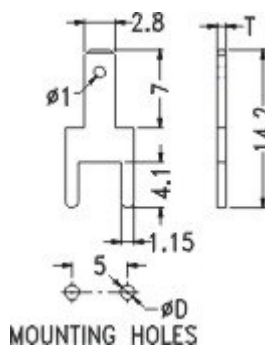


PART NO	T	D	PACKAGE
PC187	0.5	1.3	2000
PC187(0.8)	0.8	1.4	

PCB CONTACT

PC110D

MATERIAL:TIN PLATED BRASS
UNIT:mm

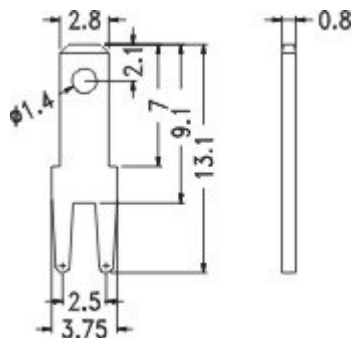


PART NO	T	D	PACKAGE
PC110D5	0.5	1.3	2000
PC110D8	0.8	1.4	

PCB CONTACT

PC110-1

MATERIAL:BRONZE
UNIT:mm



PARTNO	PACKAGE
PC110-1	2000



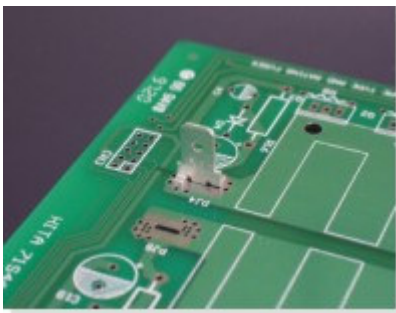
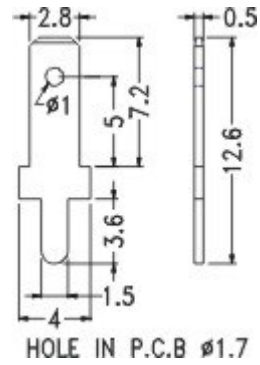
PARTNO	PACKAGE
PC110	2000

PCB CONTACT

PC110

MATERIAL:TIN PLATED BRASS

UNIT:mm



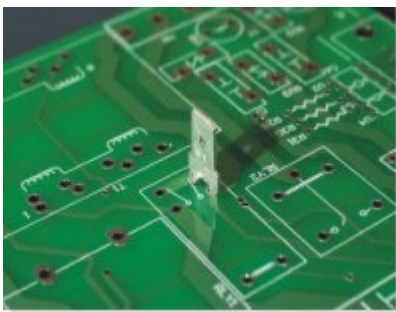
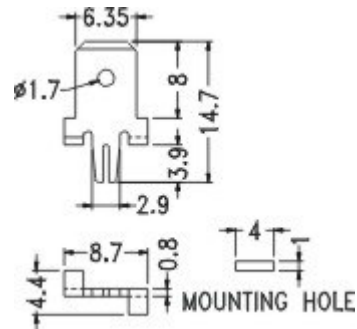
PARTNO	PACKAGE
PCK250	1000

PCB CONTACT

PCK250

MATERIAL:TIN PLATED BRASS

UNIT:mm



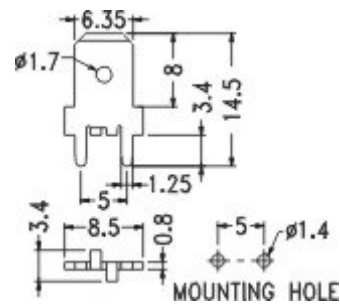
PARTNO	PACKAGE
PCH250	1000

PCB CONTACT

PCH250

MATERIAL:TIN PLATED BRASS

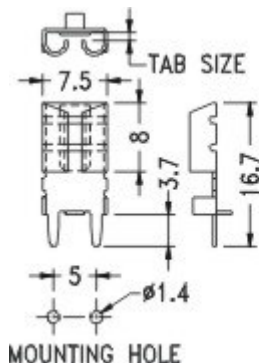
UNIT:mm



PCB CONTACT

PCFS250L

MATERIAL:TIN PLATED BRASS
UNIT:mm



TAB SIZE	TERMINAL THICKNESS
0.8x6.35	0.4



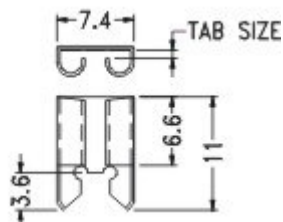
PARTNO	PACKAGE
PCFS250L	1000

PCB CONTACT

PCFS

MATERIAL:BRASS
FINISH:TIN PLATED

UNIT:mm



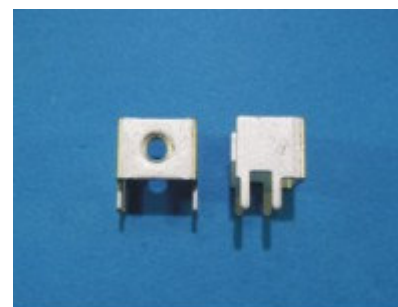
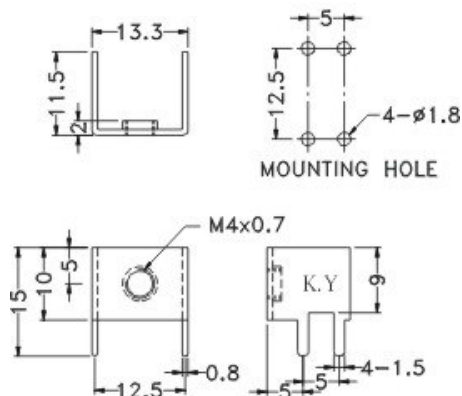
PART NO	TAB SIZE	TERMINAL THICKNESS	HOLES IN PCB
PCFS2505	0.5X6.35	0.4	
PCFS2508	0.8X6.35	0.4	



PCB CONTACT

PCB-15

MATERIAL:TIN PLATED BRASS
UNIT:mm



PARTNO	PACKAGE
PCB-15	1000

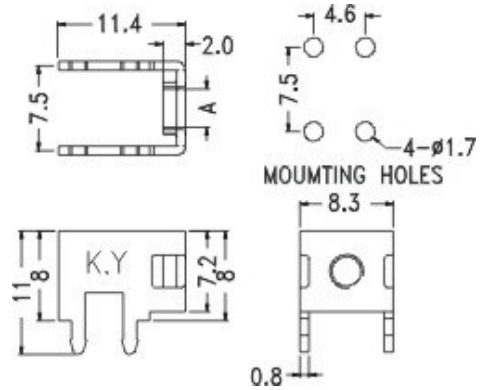


ANGLED PCB CONTACT

PCB-12

MATERIAL:TIN PLATED BRASS
UNIT:mm

PART NO.	TAPPED	PACKAGE
PCB-12	M3X0.5	1000
PCB-12(M4)	M4X0.7	
PCB-12(632)	6-32 UNC	

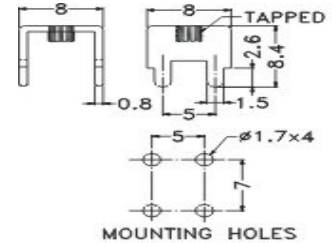


ANGLED PCB CONTACT

PCB-11

MATERIAL:TIN PLATED BRASS
SCREW MATERIAL:NICKEL PLATED
UNIT:mm

PART NO.	TAPPED	PACKAGE
PCB-11	M3	1000
PCB-11(M4)	M4	
PCB-11(632)	6-32 UNC	

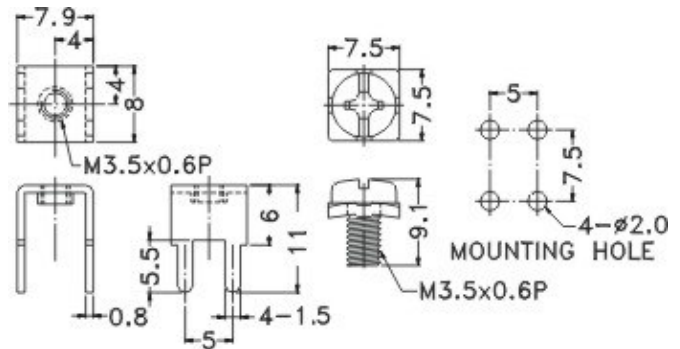


ANGLED PCB CONTACT

PCB-10

MATERIAL:TIN PLATED BRASS
UNIT:mm

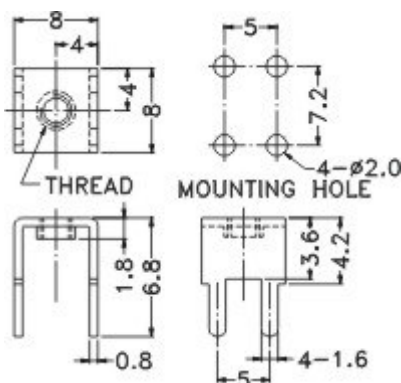
PART NO.	TAPPED	PACKAGE
PCB-10	M3.5	1000



PCB SOLDER CONTACT

PCB-9

MATERIAL:TIN PLATED BRASS
UNIT:mm

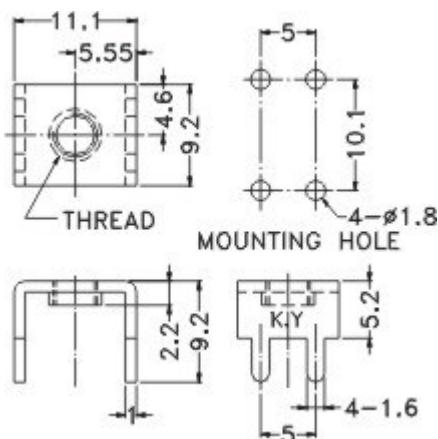


PART NO.	TAPPED	PACKAGE
PCB-9	M3X0.5	1000
PCB-9(M4)	M4X0.7	
PCB-9(632)	6-32 UNC	

PCB SOLDER CONTACT

PCB-8

MATERIAL:TIN PLATED BRASS
UNIT:mm

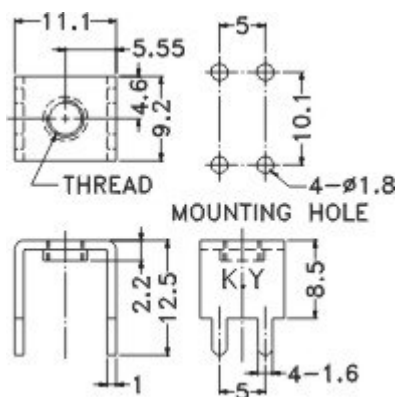


PART NO.	TAPPED	PACKAGE
PCB-8	M3X0.5	1000
PCB-8(M4)	M4X0.7	
PCB-8(632)	6-32 UNC	

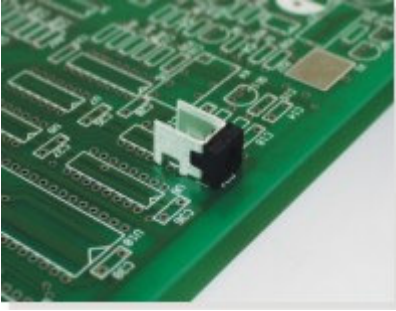
PCB SOLDER CONTACT

PCB-7

MATERIAL:TIN PLATED BRASS
UNIT:mm



PART NO.	TAPPED	PACKAGE
PCB-7	M3X0.5	1000
PCB-7(M4)	M4X0.7	
PCB-7(632)	6-32 UNC	

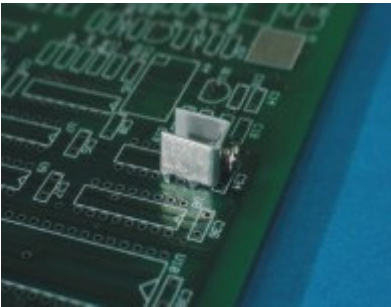
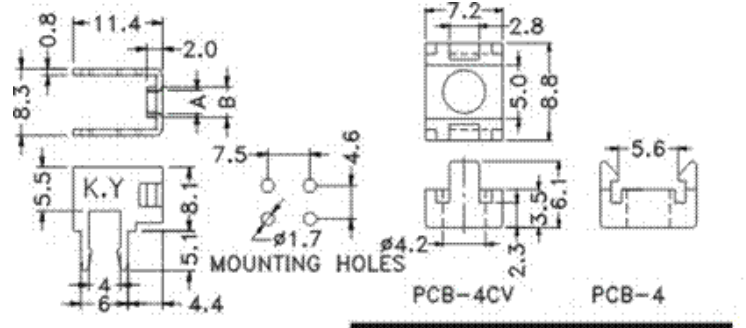


PART NO	A	B	PACKAGE
PCB-4	M3X0.5	3.5	1000
PCB-4(M4)	M4X0.7	4.4	
PCB-4(632)	6-32 UNC	4.4	

PCB SOLDER CONTACT

PCB-4

MATERIAL:TIN PLATED BRASS
UNIT:mm

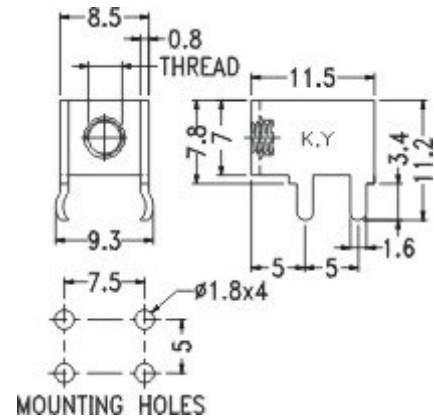


PART NO	THREAD	PACKAGE
PCB-2	M3x0.5	1000
PCB-2(M4)	M4X0.7	
PCB-2(6-32)	6-32 UNC	

PCB SOLDER CONTACT

PCB-2

MATERIAL:TIN PLATED BRASS
UNIT:mm

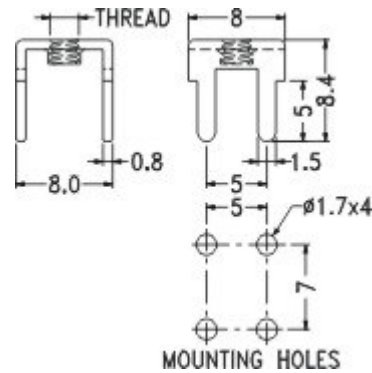


PART NO	THREAD	PACKAGE
PCB-1	M3x0.5	1000
PCB-1(M4)	M4X0.7	
PCB-1(6-32)	6-32 UNC	

PCB SOLDER CONTACT

PCB-1

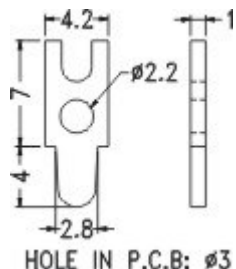
MATERIAL:TIN PLATED BRASS
UNIT:mm



SOLDER CONTACT

PIN-2

MATERIAL:TIN PLATED BRASS
UNIT:mm

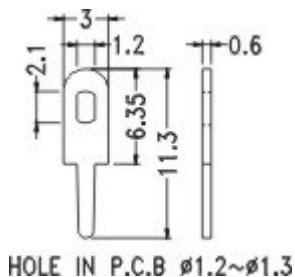


PARTNO	PACKAGE
PIN-2	2000

SOLDER PIN

PIN-1

TERMINAL MAT'L:BRASS
FINISH:TIN PLATED
UNIT:mm

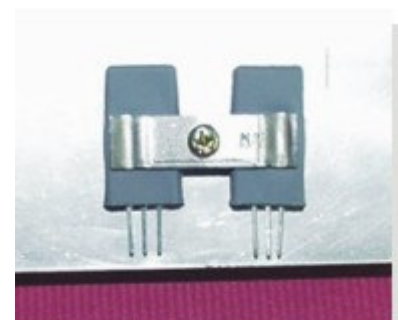
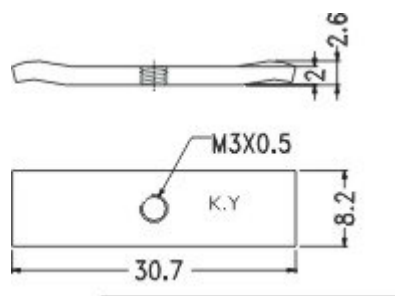


PARTNO	PACKAGE
PIN-1	2000

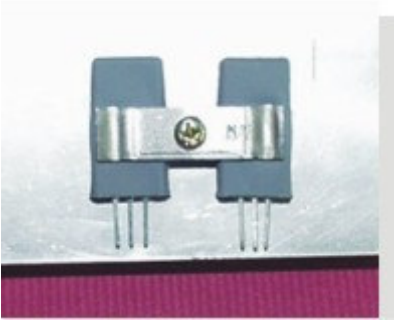
TRANSISTOR CLIP

TRK-9

MATERIAL:STEEL
UNIT:mm



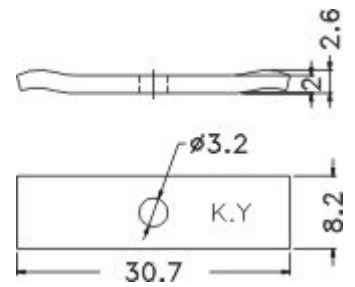
PARTNO	PACKAGE
TRK-9	1000



TRASISTOR CLIP

TRK-8

MATERIAL:STEEL
UNIT:mm



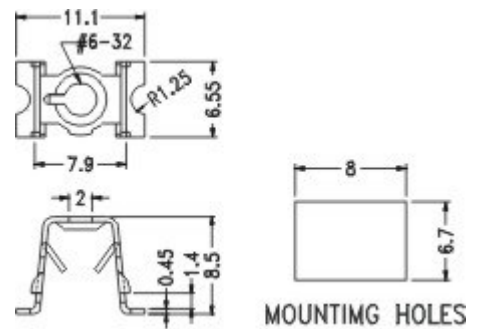
PARTNO	PACKAGE
TRK-8	1000



SPACER

PDD-6

MATERIAL:SETTL
COLOR:ZINC PLATED
UNIT:mm



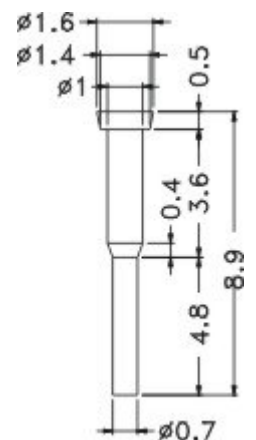
PART NO	PACKAGE
PDD-6	1000



CONTACT PIN

TEST-31

MATERIAL:BRASS
FINISH:TIN PLATED
UNIT:mm

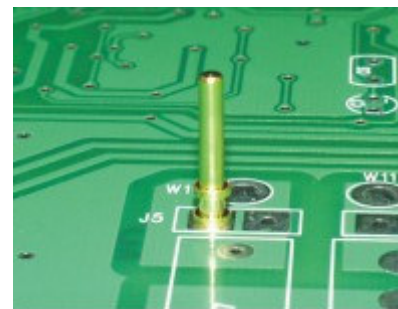
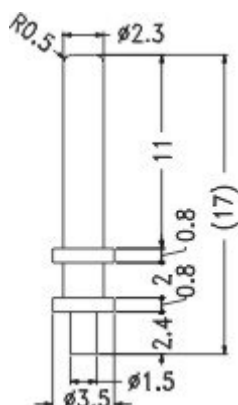


PARTNO	PACKAGE
TEST-31	2000

CONTACT PIN

TEST-27

MATERIAL: COPPER
 FINISH: GOLD PLATED
 UNIT: mm

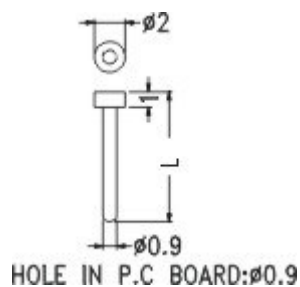


PARTNO	PACKAGE
TEST-27	2000

CONTACT PIN

TEST-26

MATERIAL: BRASS
 FINISH: TIN PLATED
 UNIT: mm

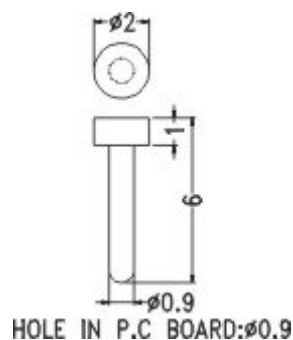


PART NO.	A	PACKAGE
TEST-26	8.5	2000
★TEST-28	10.0	

CONTACT PIN

TEST-25

MATERIAL: BRASS
 FINISH: GOLD PLATED
 UNIT: mm



PARTNO	PACKAGE
TEST-25	2000



FREROX PLASTIC COMPONENTS

METAL PARTS CONTACTS



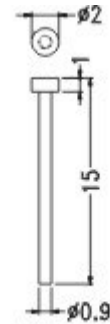
PARTNO	PACKAGE
TEST-24	2000

CONTACT PIN

TEST-24

MATERIAL:BRASS
FINISH:GOLD PLATED

UNIT:mm



HOLE IN P.C BOARD: $\phi 0.9$



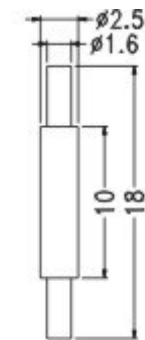
PARTNO	PACKAGE
TEST-23	2000

CONTACT PIN

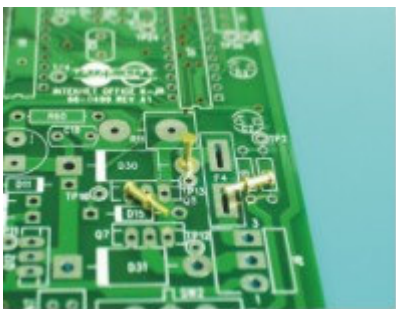
TEST-23

MATERIAL:BRASS
FINISH:TIN PLATED

UNIT:mm



HOLE IN P.C BOARD: $\phi 1.7$



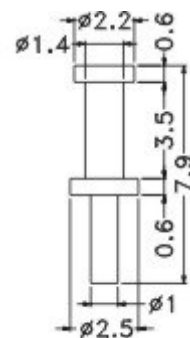
PARTNO	PACKAGE
TEST-22	2000

CONTACT PIN

TEST-22

MATERIAL:BRASS
FINISH:GOLD PLATED

UNIT:mm



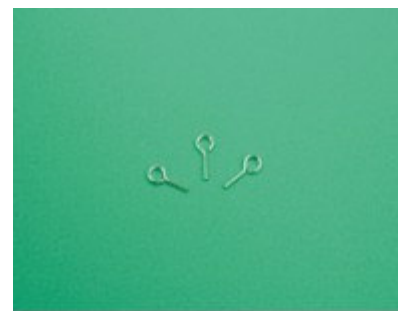
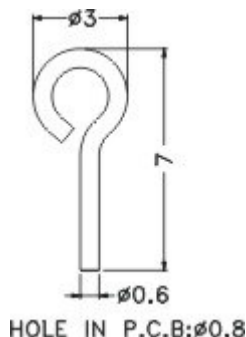
HOLE IN P.C.B: $\phi 1.0$

CONTACT PIN

TEST-12

MATERIAL:BRASS
FINISH:TIN PLATED

UNIT:mm

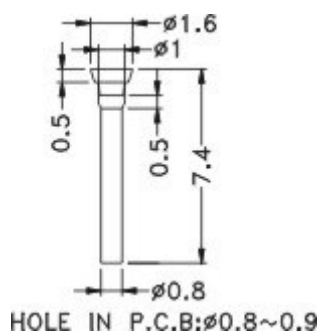


PARTNO	PACKAGE
TEST-12	2000

CONTACT PIN

TEST-10

MATERIAL:TIN PLATED COPPER
UNIT:mm

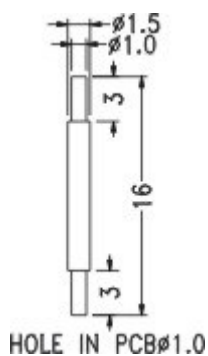


PARTNO	PACKAGE
TEST-10	2000

CONTACT PIN

TEST-9

MATERIAL:TIN PLATED BRASS
UNIT:mm



PARTNO	PACKAGE
TEST-9	2000

FREROX PLASTIC COMPONENTS

METAL PARTS CONTACTS

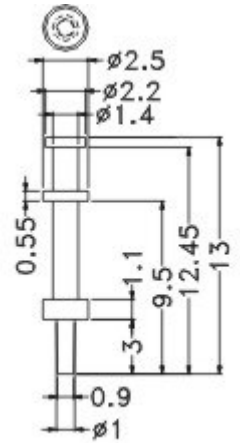


PARTNO	PACKAGE
TEST-8	2000

CONTACT PIN

TEST-8

MATERIAL:GOLD PLATED COPPER
UNIT:mm



HOLE IN P.C.B \varnothing 1.0

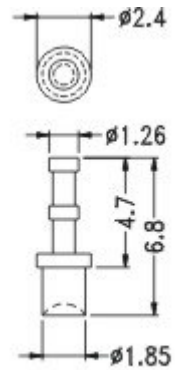


PARTNO	PACKAGE
TEST-6	2000

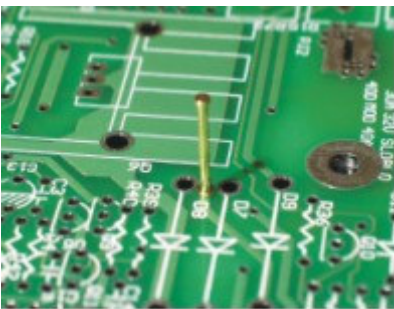
CONTACT PIN

TEST-6

MATERIAL:TIN PLATED COPPER
UNIT:mm



HOLE IN P.C.B \varnothing 2.0

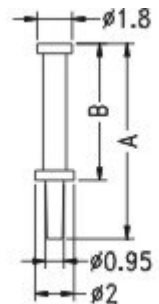


PART NO	A	B	PACKAGE
TEST-4	14.0	11.0	1000
TEST-5	10.0	7.0	2000

CONTACT PIN

TEST

MATERIAL:GOLD PLATED COPPER
UNIT:mm

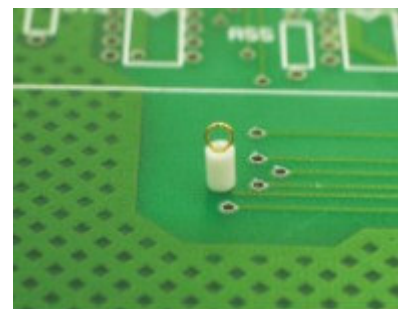
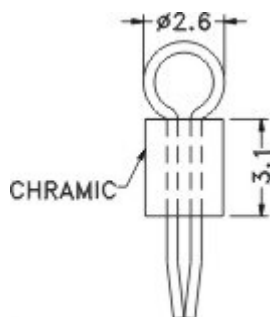


HOLE IN P.C.B \varnothing 0.95

CONTACT PIN

TEST-7CN

MATERIAL:SPRING STEEL
 NICKEL PLATED
 FINISH:GOLS PLATED
 UNIT:mm

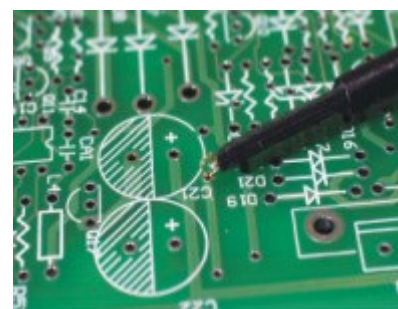
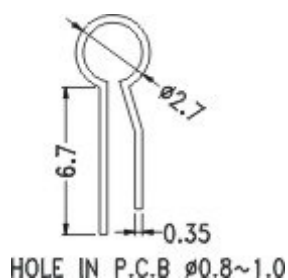


PARTNO	PACKAGE
TEST-7CN	1000

CONTACT PIN

TEST-3

MATERIAL:GOLD PLATED COPPER
 UNIT:mm

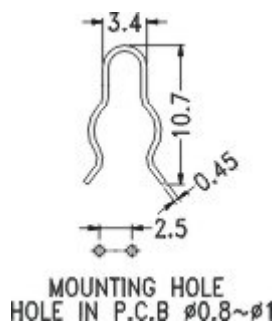


PARTNO	PACKAGE
TEST-3	1000

CONTACT PIN

TEST-2

MATERIAL:GOLD PLATED COPPER
 UNIT:mm

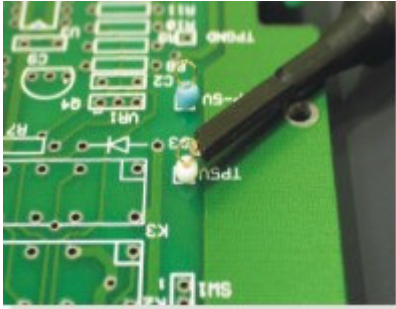


PARTNO	PACKAGE
TEST-2	1000



FREROX PLASTIC COMPONENTS

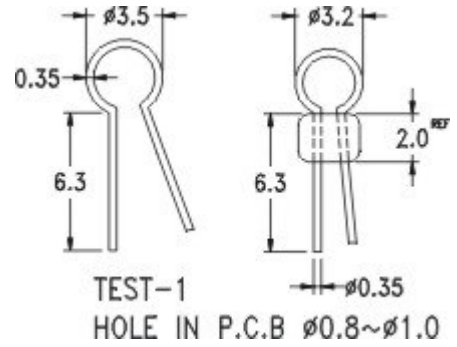
METAL PARTS CONTACTS



CONTACT PIN

TEST-1

MATERIAL:PHOSPHOR BRONIE
GOLD PLATED
UNIT:mm



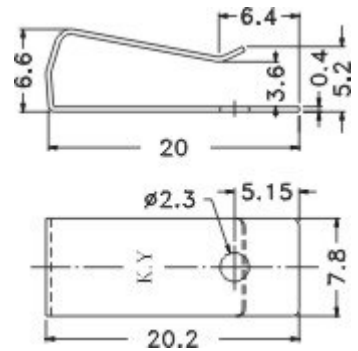
PARTNO	COLOR	PACKAGE
TEST-1 (R)	RED	1000
TEST-1 (GR)	GREEN	
TEST-1 (BU)	BLUE	
TEST-1 (BK)	BLACK	
TEST-1 (Y)	YELLOW	
TEST-1 (W)	WHITE	



TRANSISTOR

TRMC-9

MATERIAL:SUS301
UNIT:mm



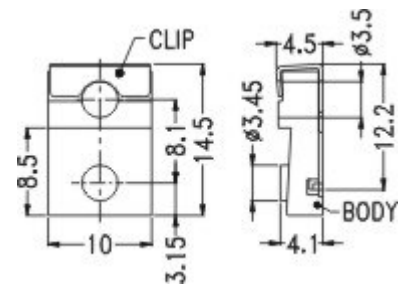
PARTNO	PACKAGE
TRMC-9	1000



TRANSISTOR MOUNTER TO 220

TCSE-1

MATERIAL:NYLON 66 UL94V-2
FLAME CLASS:STAINLESS-430
COLOR:BLACK
UNIT:mm

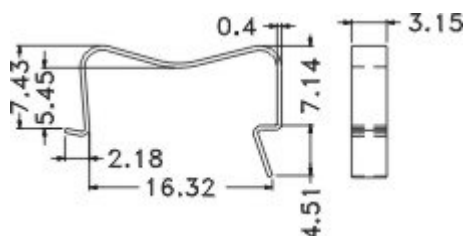


PARTNO	PACKAGE
TCSE-1	1000

TRANSISTOR CLIP

TRMC-8

MATERIAL:SUS301
UNIT:mm

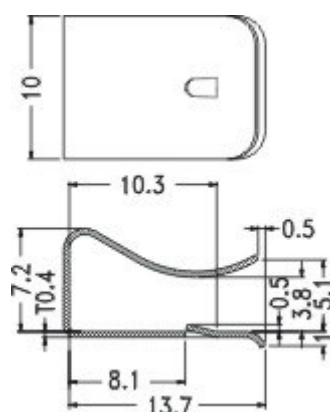


PARTNO	PACKAGE
TRMC-8	1000

TRANSISTOR CLIP

TRMC-6

MATERIAL:SUS301
UNIT:mm

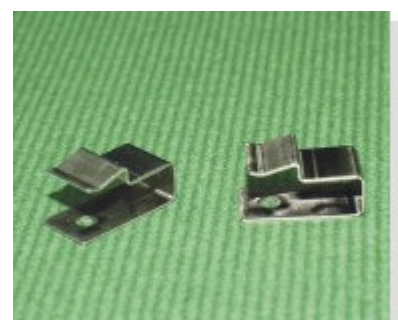
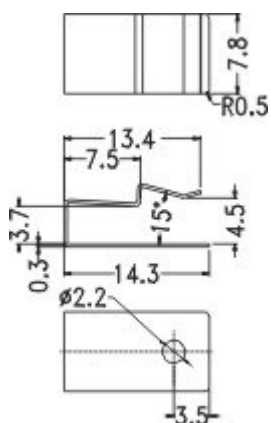


PARTNO	PACKAGE
TRMC-6	1000

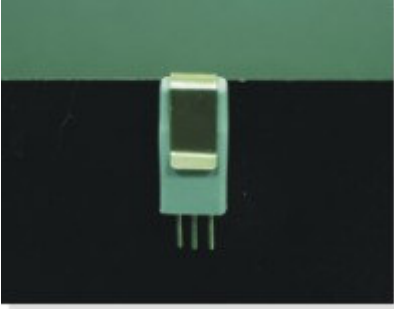
TRANSISTOR CLIP

TRMC-5

MATERIAL:SUS301
UNIT:mm



PARTNO	PACKAGE
TRMC-5	1000

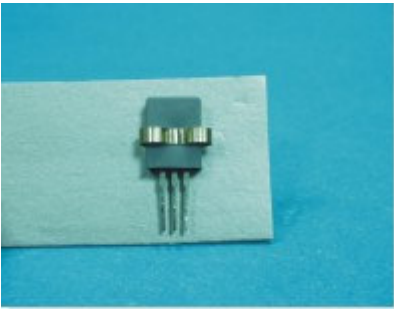
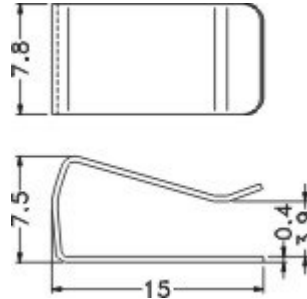


TRANSISTOR CLIP

TRMC-1

MATERIAL:SUS301
UNIT:mm

PARTNO	PACKAGE
TRMC-1	1000

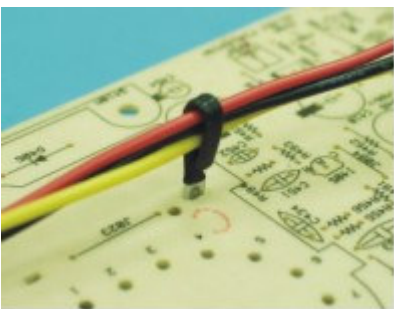
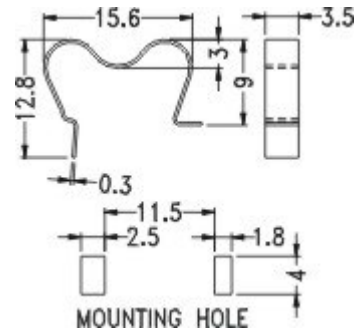


TRANSISTOR CLIP

TO-220ST

MATERIAL:SUS304
FLAME CLASS:SILVER
UNIT:mm

PARTNO	PACKAGE
TO-220ST	1000

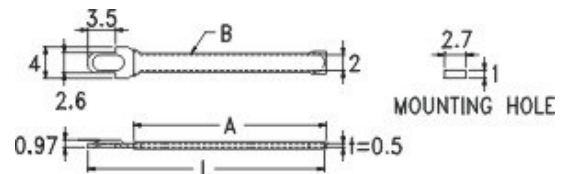


METAL WIRE HOLDER

WLD

METAL MATERIAL:STEEL
METAL FINISH:TIN PLATED
PLASTIC MAT'L:POLYOLFEIN(UL)CSA/PVC(UL)CSA
COLOR:BLACK
UNIT:mm

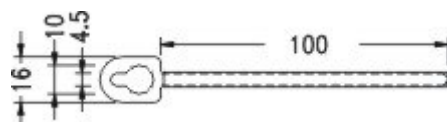
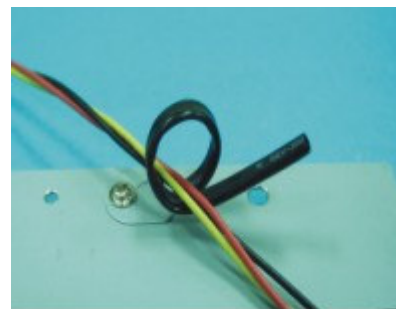
PART NO	L	A	B	PACKAGE
WLD-30H	30.0	24.0	1.5 HEAT SHRINKING	1000
WLD-50H	50.0	47.0	1.5 HEAT SHRINKING	
WLD-30T	30.0	22.0	1.93 PVC TUBE	
WLD-50T	50.0	45.0	1.93 PVC TUBE	



METAL WIRE HOLDER

WLC-1

METAL MAT'L:STEEL,PVC TUBE(UL/CSA)
 COLOR:BLACK
 UNIT:mm

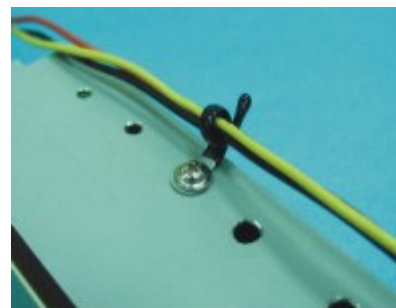


PARTNO	PACKAGE
WLC-1	500

METAL WIRE HOLDER

WL

MEATL MAT'L:STEEL
 PLACTIC MAT'L:SOFT PVC/PVC TUBE(UL/CSA)
 COLOR:BLACK
 UNIT:mm



PARTNO	A	B	C	PACKAGE
WL3-32T	7.5	3.3	32.0	1000
WL3-52T	7.5	3.3	52.0	
WL3-60T	8.0	3.6	62.0	
WL4-35T	8.5	4.2	35.0	
WL4-50T	8.0	4.1	52.0	
WL4-70T	7.5	4.2	74.5	500
WL4-78T	8.0	4.1	78.5	
WL5-70T	8.4	5.1	60.8	
WL6-78T	10.0	6.0	78.0	

