



CATALOGUS: FREROX

PLASTIC PARTS FOR ELECTRICAL EQUIPMENT

FREROX ELECTRONICS

4

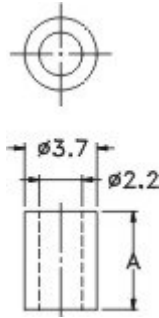
SPACERS



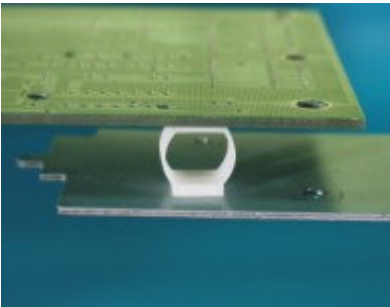
SLEEVE

2

MATERIAL: NYLON 66
 FLAME CLASS: 94V-2
 COLOR: NATURAL
 UNIT: mm



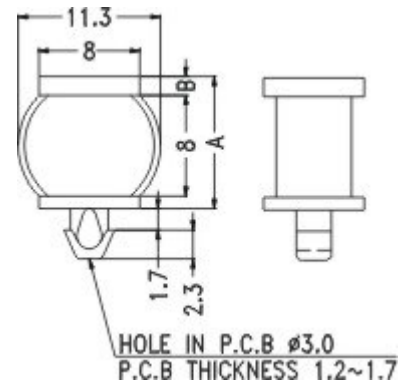
PART NO.	A	PACKAGE
2-2	2.0	2000
2-3	3.0	
2-4	4.0	
2-5	5.0	
2-6	6.0	
2-7	7.0	
2-8	8.0	
2-9	9.0	
2-10	10.0	
2-11	11.0	
2-12	12.0	
2-13	13.0	
2-14	14.0	
2-15	15.0	
2-16	16.0	



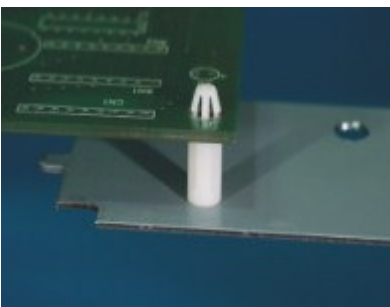
PCB SPACER

LIO

MATERIAL: NYLON 66(UL)
 FLAME CLASS: 94V-2
 COLOR: NATURAL
 UNIT: mm



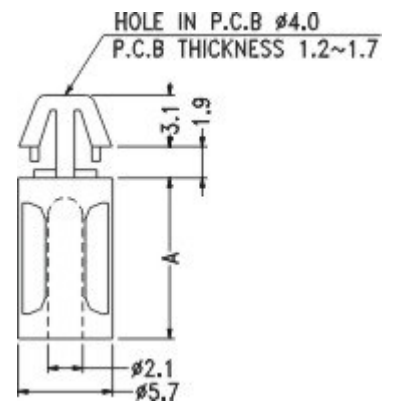
PART NO	A	B	PACKAGE
LIO-10	10	1	2000
LIO-10.5	10.5	1.5	



PCB HOLDER

MCH

MATERIAL: NYLON 66(UL)
 FLAME CLASS: 94V-2
 COLOR: NATURAL
 UNIT: mm

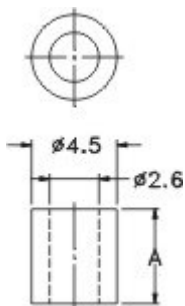


PART NO	A	PACKAGE
MCH-6	6.35	1000
MCH-10	9.7	
MCH-12	12.7	

SLEEVE

2.6

MATERIAL:NYLON 66
 FLAME CLASS:94V-2
 COLOR:NATURAL
 UNIT:mm



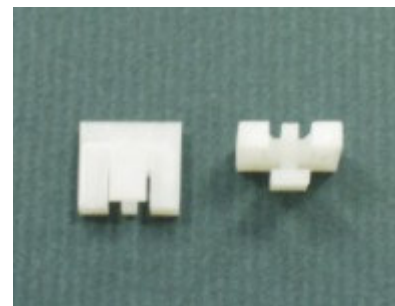
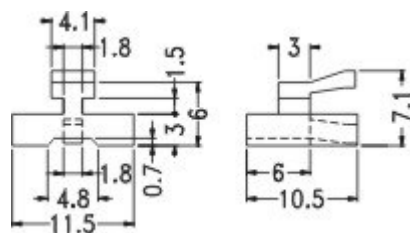
PART NO.	A	PACKAGE
2.6-2	2.0	2000
2.6-3	3.0	
2.6-4	4.0	
2.6-5	5.0	
2.6-6	6.0	
2.6-7	7.0	
2.6-8	8.0	
2.6-9	9.0	
2.6-10	10.0	
2.6-11	11.0	
2.6-12	12.0	
2.6-13	13.0	
2.6-14	14.0	
2.6-15	15.0	
2.6-16	16.0	



MOUNTING

JYCE-1

MATERIAL:NYLON 66
 FLAME CLASS:94V-2
 COLOR:NATURAL
 UNIT:mm

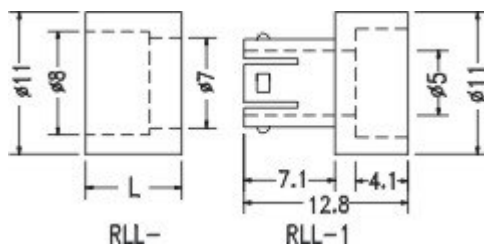


PART NO	PACKAGE
JYCE-1	1000

SCREW ISOLATOR

RLL-1

MATERIAL:ABS(UL)
 FLAME CLASS:94HB
 COLOR:WHITE/NATURAL
 UNIT:mm



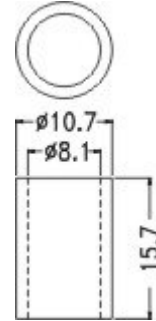


SLEEVE

8-16

MATERIAL: NYLON 66
 FLAME CLASS: 94V-2
 COLOR: NATURAL
 UNIT: mm

PARTNO	PACKAGE
8-16	1000

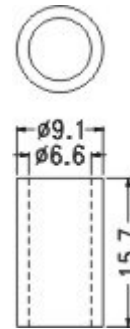


SLEEVE

6-16

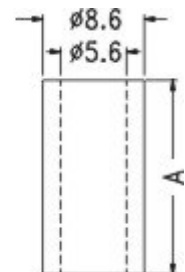
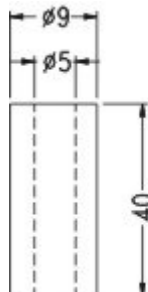
MATERIAL: NYLON 66
 FLAME CLASS: 94V-2/94V-0
 COLOR: NATURAL
 UNIT: mm

PARTNO	PACKAGE
6-16	1000



PARTNO	PACKAGE
5-40	500

PARTNO.	A	PACKAGE
5-16.5	16.5	1000
5-20	20.0	



SLEEVE

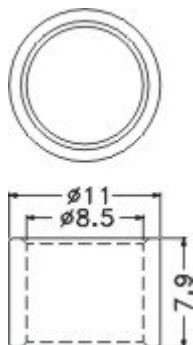
5

MATERIAL: NYLON 66
 FLAME CLASS: 94V-2/94V-0
 COLOR: NATURAL
 UNIT: mm

SPACER

8.5-8

MATERIAL:NYLON 66
 FLAME CLASS:94V-2
 COLOR:NATURAL
 UNIT:mm

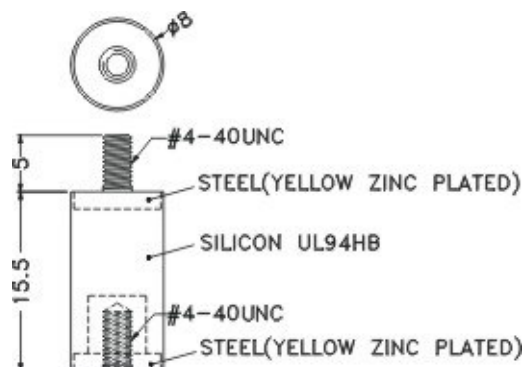


PARTNO	PACKAGE
8.5-8	1000

VIBRATION ABSORTION SPACER

SITP-15.5

TERMIMAL MAT'L:EL(YELLOW ZINC PLATED)
 FLAME CLASS:SILICON UL94HB
 COLOR:GRAY
 UNIT:mm

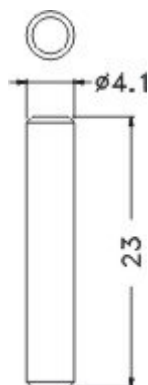


PARTNO	PACKAGE
SITP-15.5	1000

SLEEVE

ACBL-1

MATERIAL:PC
 COLOR:NATURAL
 UNIT:mm



PARTNO	PACKAGE
ACBL-1	1000

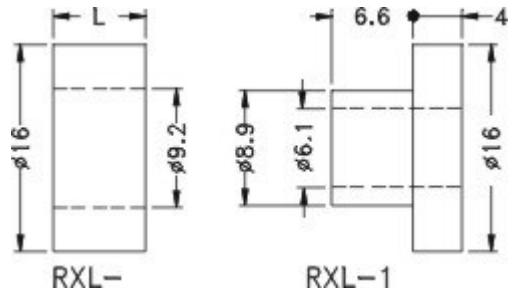


SCREW ISOLATOR

RXL-1

MATERIAL:ABS(UL)
 FLAME CLASS:94HB
 COLOR:WHITE/NATURAL
 UNIT:mm

PARTNO		L	HOLE IN P.C.B	HOLE IN CHASSIS	PACKAGE
RXL-1	RXL-5	5.0	φ 9.0	φ 6.0	500
	RXL-7	7.5			
	RXL-10	10.0			

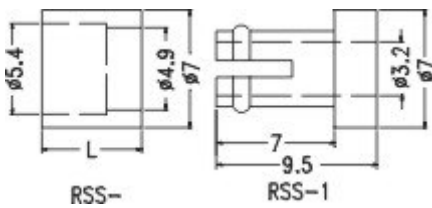


SCREW ISOLATOR

RSS-1

MATERIAL:ABS(UL)
 FLAME CLASS:94HB
 COLOR:WHITE/NATURAL
 UNIT:mm

PART NO		L	HOLE IN P.C.B	HOLE IN CHASSIS	PACKAGE
RSS-1	RSS-60	6.0	φ 5.0	φ 3.5	1000
	RSS-78	7.8			
	RSS-105	10.5			
	RSS-150	15.0			500
	RSS-180	18.0			
	RSS-200	20.0			
	RSS-250	25.0			

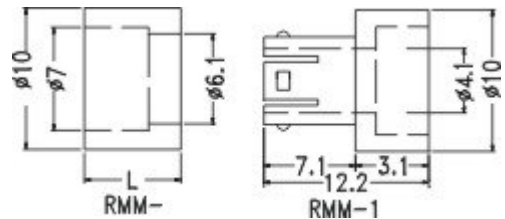


SCREW ISOLATOR

RMM-1

MATERIAL:ABS(UL)
 FLAME CLASS:94HB
 COLOR:WHITE/NATURAL
 UNIT:mm

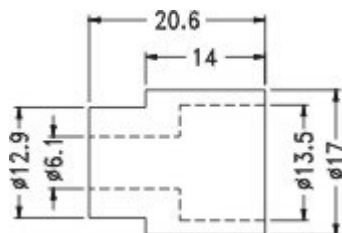
PARTNO		L	HOLE IN P.C.B	HOLE IN CHASSIS	PACKAGE
RMM-1	RMM-75	7.5	φ 6.5	φ 4.0	1000
	RMM-100	10.0			
	RMM-150	15.0			



SPACER

RCXL-14

MATERIAL:ABS(UL)
 FLAME CLASS:94V-0
 COLOR:NATURAL
 UNIT:mm

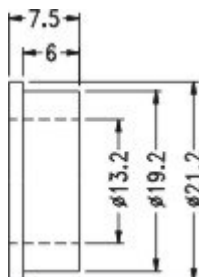


PART NO	PACKAGE
RCXL-14	1000

SPACER

RCXL-1

MATERIAL:ABS(UL)
 FLAME CLASS:94V-0
 COLOR:NATURAL
 UNIT:mm

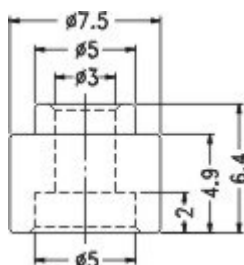


PART NO	PACKAGE
RCXL-1	1000

SPACER

LASK-5

MATERIAL:NYLON 66(UL)
 FLAME CLASS:94V-2
 COLOR:NATURAL
 UNIT:mm



PART NO	PACKAGE
LASK-5	1000



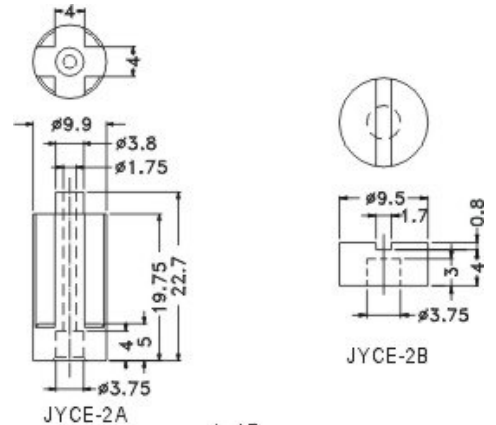


SPACER

JYCE-2

MATERIAL:NYLON 66(UL)
 FLAME CLASS:94V-2
 COLOR:BLACK
 UNIT:mm

PARTNO	PACKAGE
JYCE-2	500



1-45

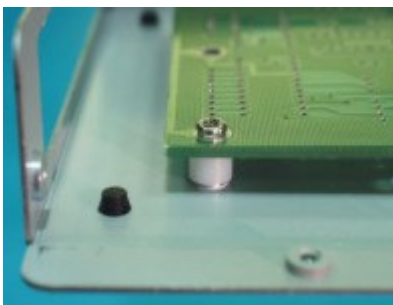
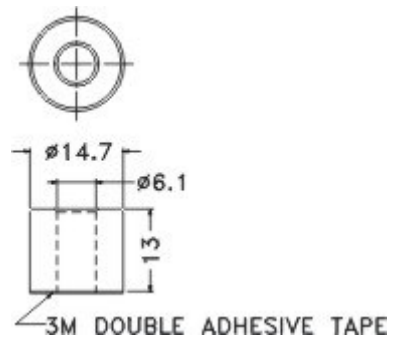


SPACER

6-13A

MATERIAL:NYLON 66(UL)
 FLAME CLASS:94V-2
 COLOR:NATURAL
 UNIT:mm

PARTNO	PACKAGE
6-13A	1000

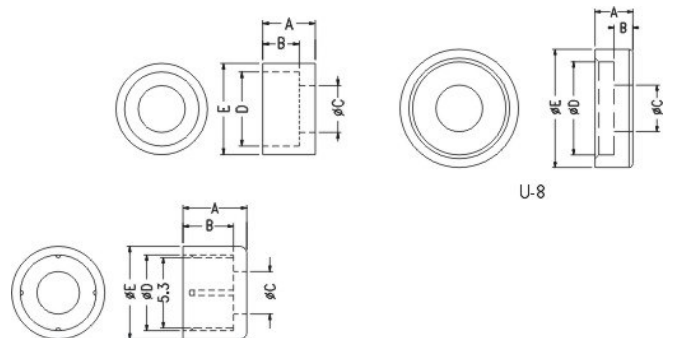


SPACER

U

MATERIAL:NYLON 66(UL)
 FLAME CLASS:94V-2
 COLOR:NATURAL
 UNIT:mm

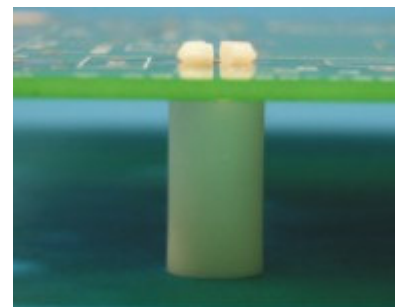
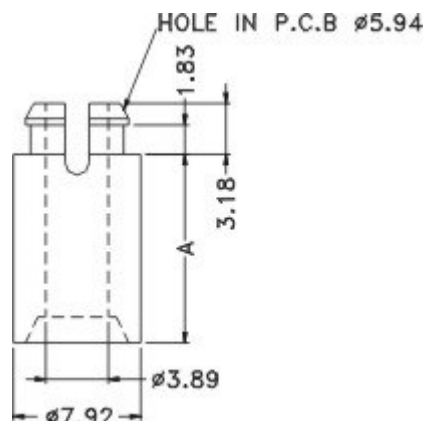
PARTNO	A	B	C	D	E	PACKAGE
U-4	4.9	3.8	3.2	5.7	7.0	2000
U-5	4.6	3.2	4.1	6.5	8.0	
U-6	10.0	7.0	3.0	8.5	11.0	1000
U-7	3.1	2.1	3.0	5.5	7.5	2000
U-8	3.0	1.5	3.7	7.4	9.4	



SPACER

SS3.5

MATERIAL: NYLON 66(UL)
 FLAME CLASS: 94V-2
 COLOR: BLACK
 UNIT: mm



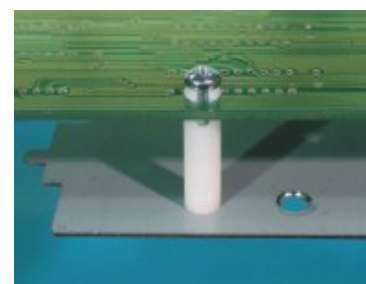
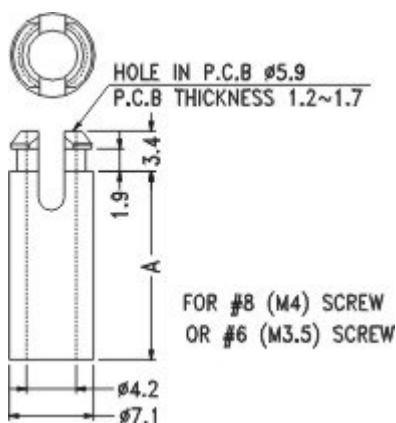
PART NO.	A	PACKAGE
SS3.5-6.3	6.35	1000
SS3.5-9.5	9.53	
SS3.5-12.7	12.70	
SS3.5-15	15.88	

SPACER

SS4

MATERIAL: NYLON 66(UL)
 FLAME CLASS: 94V-2
 COLOR: NATURAL
 UNIT: mm

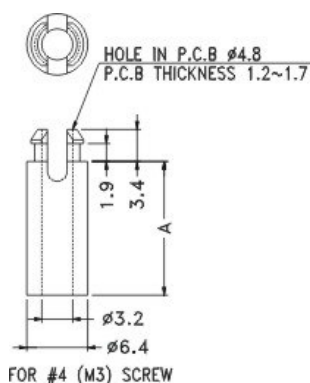
PARTNO	A	PACKAGE
SS4-6	6.4	1000
SS4-8	7.9	
SS4-9	9.5	
SS4-11	11.1	
SS4-12	12.7	
SS4-16	15.9	
SS4-17	17.0	
SS4-19	19.1	
SS4-22	22.2	500
SS4-25	25.4	



SPACER

SS

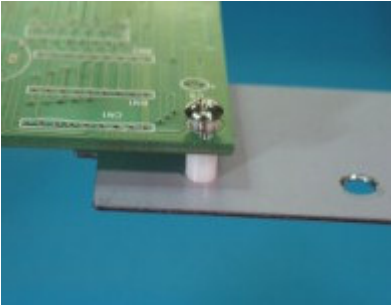
MATERIAL: NYLON 66(UL)
 FLAME CLASS: 94V-
 COLOR: NATURAL
 UNIT: mm



2

PARTNO	A	PACKAGE
SS-3	3.2	1000
SS-3.5	3.5	
SS-4	4.0	
SS-4.5	4.5	
SS-5	4.8	
SS-6	6.4	
SS-8	7.9	
SS-10	9.5	
SS-11	11.1	
SS-12A	12.0	
SS-12	12.7	
SS-14	14.2	
SS-15	15.0	
SS-16	15.9	
SS-19	19.1	500
SS-22	22.2	
SS-25	25.4	

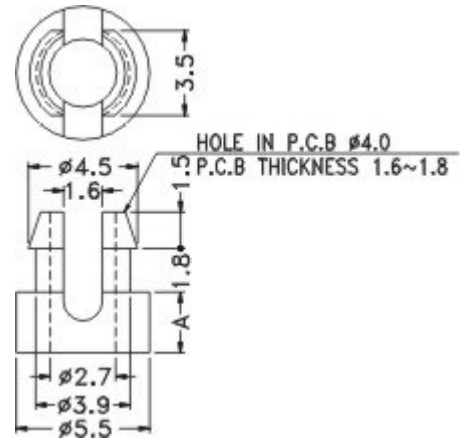




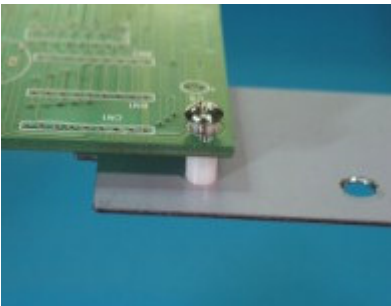
SPACER

SS2

MATERIAL: NYLON 66(UL)
 FLAME CLASS: 94V-2
 COLOR: NATURAL
 UNIT: mm



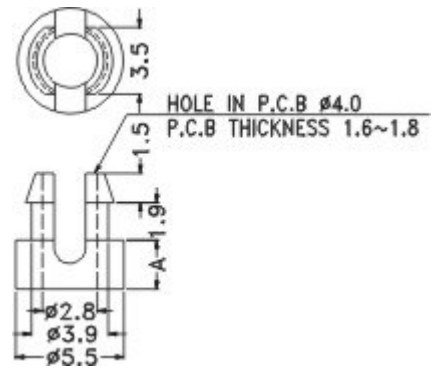
PART NO.	A	PACKAGE
SS2-2.5S	2.5	2000
SS2-3S	3.0	
SS2-4S	4.0	
SS2-5S	5.0	
SS2-6S	6.0	



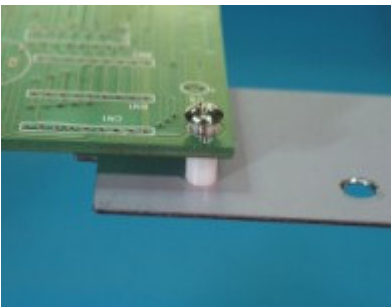
SPACER

SS2

MATERIAL: NYLON 66(UL)
 FLAME CLASS: 94V-2
 COLOR: NATURAL
 UNIT: mm



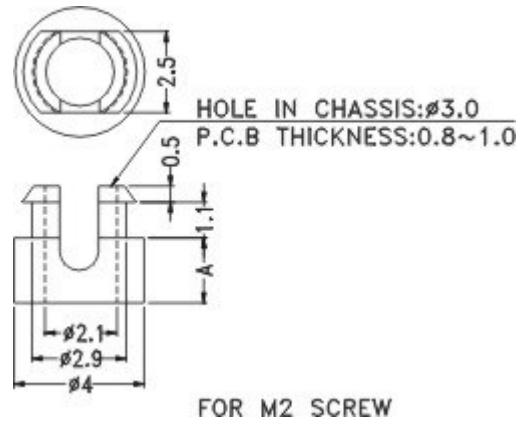
PARTNO	A	PACKAGE
SS2-2.5	2.5	2000
SS2-3	3.0	
SS2-4	4.0	
SS2-5	5.0	
SS2-5.4	5.4	
SS2-6	6.0	



SPACER

SS1

MATERIAL: NYLON 66(UL)
 FLAME CLASS: 94V-2
 COLOR: NATURAL
 UNIT: mm

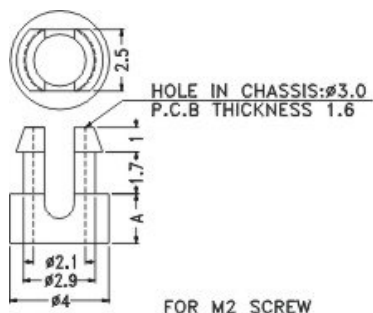


PART NO.	A	PACKAGE
SS1-2S	2.0	2000
SS1-2.5S	2.5	
SS1-3S	3.0	
SS1-3.5S	3.5	
SS1-4S	4.0	
SS1-4.5S	4.5	
SS1-5S	5.0	
SS1-5.5S	5.5	
SS1-6S	6.0	

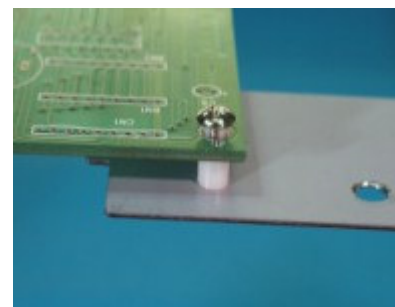
SPACER

SS1

MATERIAL:NYLON 66(UL)
 FLAME CLASS:94V-2
 COLOR:NATURAL
 UNIT:mm



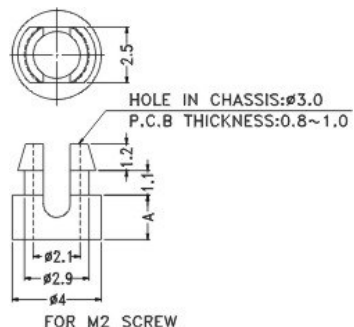
PART NO.	A	PACKAGE
SS1-2L	2.0	2000
SS1-2.5L	2.5	
SS1-3L	3.0	
SS1-3.5L	3.5	
SS1-4L	4.0	
SS1-4.5L	4.5	
SS1-5L	5.0	
SS1-5.5L	5.5	
SS1-6L	6.0	



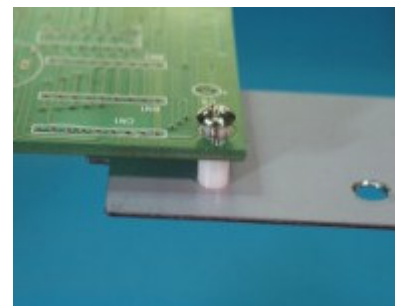
SPACER

SS1

MATERIAL:NYLON 66(UL)
 FLAME CLASS:94V-2
 COLOR:NATURAL
 UNIT:mm



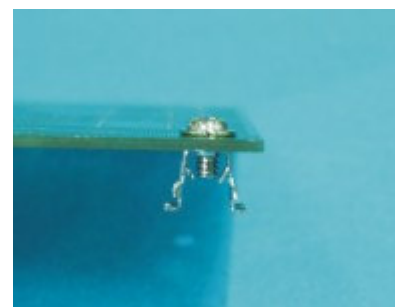
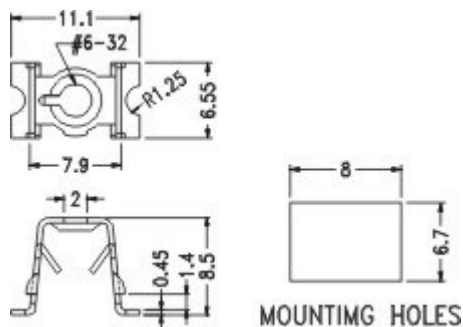
PART NO.	A	PACKAGE
SS1-2	2.0	2000
SS1-2.5	2.5	
SS1-3	3.0	
SS1-3.5	3.5	
SS1-4	4.0	
SS1-4.5	4.5	
SS1-5	5.0	
SS1-5.5	5.5	
SS1-6	6.0	



SPACER

PDD-6

MATERIAL:SETTL
 COLOR:ZINC PLATED
 UNIT:mm



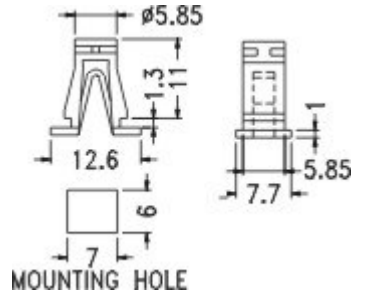
PART NO	PACKAGE
PDD-6	1000



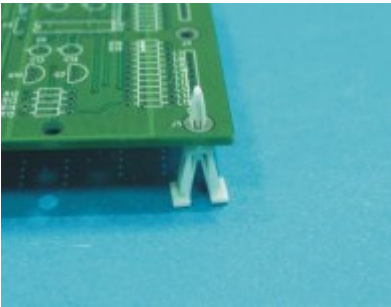
PCB SPACER

PAA-11

MATERIAL: NYLON 66(UL)
 FLAME CLASS: 94V-2
 COLOR: NATURAL
 UNIT: mm



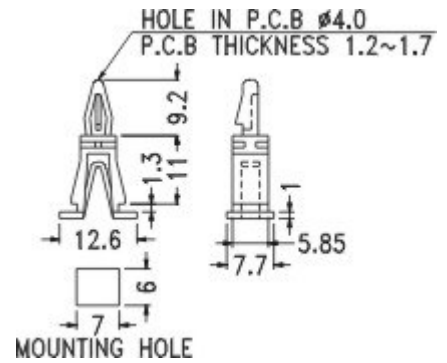
PARTNO	PACKAGE
PAA-11	1000



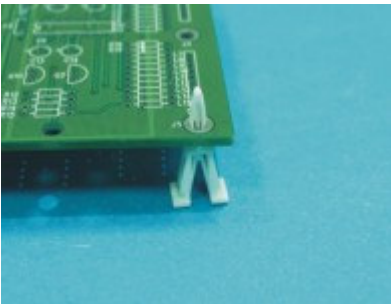
PCB SPACER

PCC-11

MATERIAL: NYLON 66(UL)
 FLAME CLASS: 94V-2
 COLOR: NATURAL
 UNIT: mm



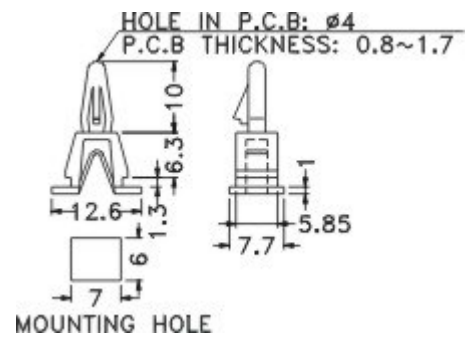
PARTNO	PACKAGE
PCC-11	1000



PCB SPACER

PCC-6

MATERIAL: NYLON 66(UL)
 FLAME CLASS: 94V-2
 COLOR: NATURAL
 UNIT: mm



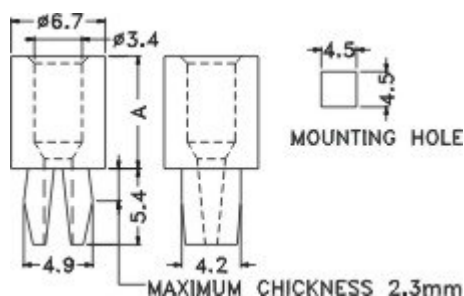
PARTNO	PACKAGE
PCC-6	2000

PCB SPACER

ETS

MATERIAL: NYLON 66(UL)
 FLAME CLASS: 94V-2
 COLOR: NATURAL
 UNIT: mm

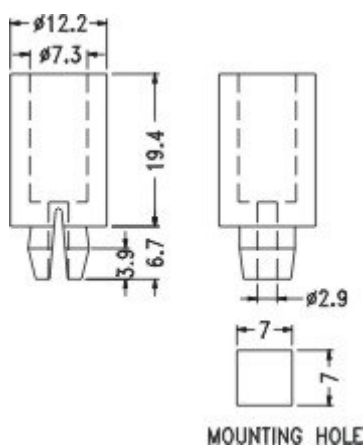
PART NO.	A	PACKAGE
ETS-3.2	3.2	2000
ETS-4.8	4.8	
ETS-6.3	6.3	
ETS-8	8.0	1000
ETS-10	10.0	
ETS-12	12.7	
ETS-16	15.9	
ETS-19	19.1	



PCB SPACER

ESS-19

MATERIAL: NYLON 66(UL)
 FLAME CLASS: 94V-2
 COLOR: NATURAL
 UNIT: mm

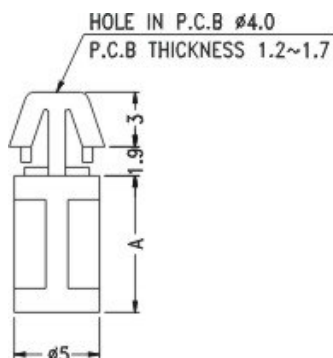


PART NO	PACKAGE
ESS-19	1000

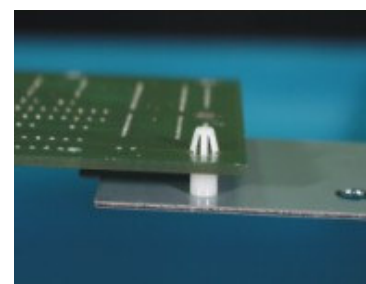
PCB HOLDER

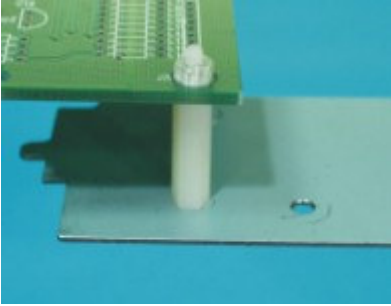
MC

MATERIAL: NYLON 66(UL)
 FLAME CLASS: 94V-2
 COLOR: NATURAL
 UNIT: mm



PARTNO	A	PACKAGE
MC-3	3.0	2000
MC-4	4.0	
MC-5	5.0	
MC-6	6.3	
MC-7	7.0	
MC-8	8.0	1000
MC-10	10.0	
MC-12	12.7	

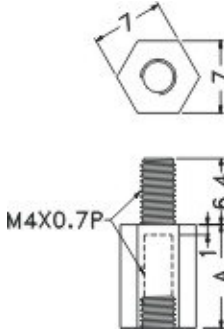




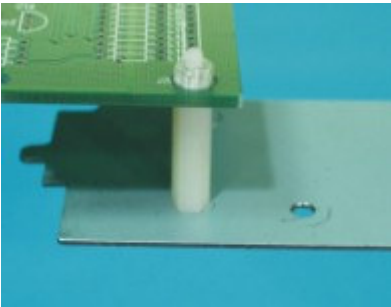
SPACER-HEXAGONAL

TP4

MATERIAL:NYLON 66(UL)
 FLAME CLASS:94V-2
 COLOR:NATURAL
 UNIT:mm



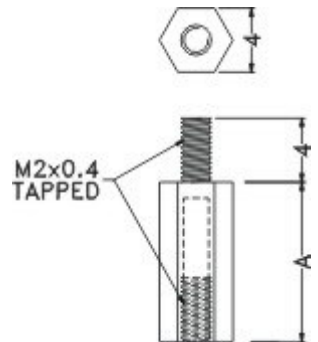
PART NO.	A	PACKAGE
TP4-6	6.0	1000
TP4-8	8.0	
TP4-10	10.0	
TP4-12	12.0	
TP4-14	14.0	
TP4-16	16.0	
TP4-20	20.0	
TP4-25	25.0	
TP4-30	30.0	
TP4-35	35.0	
TP4-40	40.0	
TP4-45	45.5	



SPACER HEXAGONAL

TP-2

MATERIAL:NYLON 66(UL)
 FLAME CLASS:94V-2/94V-0
 COLOR:NATURAL
 UNIT:mm



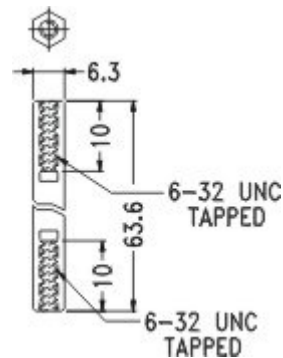
PART NO.	A	PACKAGE
TP-2-5S	5.0	1000
TP-2-8S	8.0	
TP-2-10S	10.0	
TP-2-15S	15.0	



SPACER

HP632-64

MATERIAL:NYLON 66
 FLAME CLASS:94V-2
 COLOR:NATURAL
 UNIT:mm

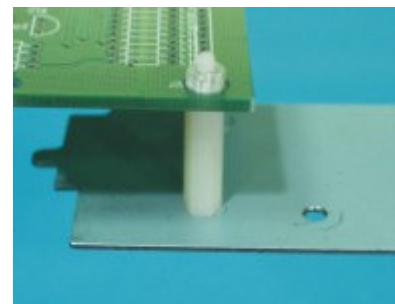
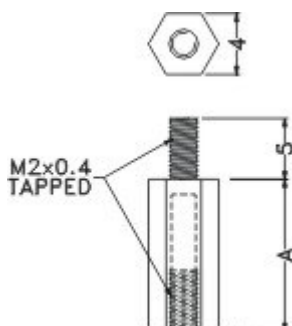


PARTNO	PACKAGE
HP632-64	250

SPACER HEXAGONAL

TP-2

MATERIAL: NYLON 66(UL)
 FLAME CLASS: 94V-2/94V-0
 COLOR: NATURAL
 UNIT: mm

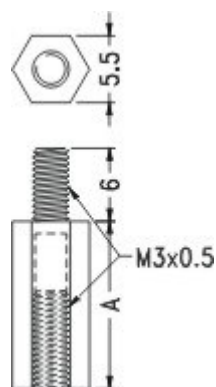


PART NO.	A	PACKAGE
TP-2-5	5.0	1000
TP-2-8	8.0	
TP-2-10	10.0	
TP-2-15	15.0	

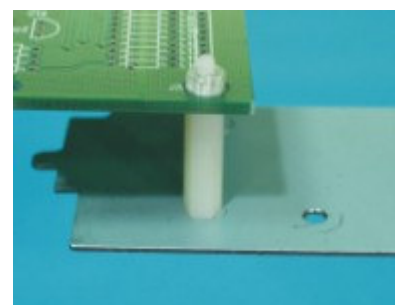
SPACER HEXAGONAL

TP

MATERIAL: NYLON 66(UL)
 FLAME CLASS: 94V-2/94V-0
 COLOR: NATURAL
 UNIT: mm



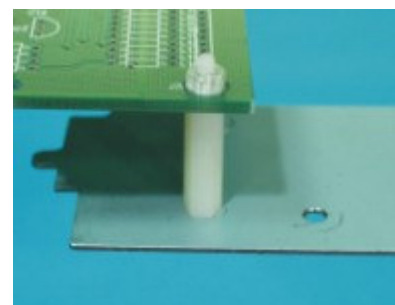
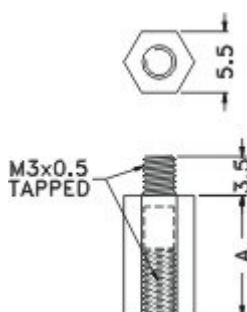
PART NO	A	PACKAGE
TP-5	5.0	1000
TP-6	6.0	
TP-7	7.0	
TP-8	8.0	
TP-9	9.0	
TP-10	10.0	
TP-10.5	10.5	
TP-11	11.0	
TP-12	12.7	
TP-12A	12.0	
★TP-13	13.0	
TP-14	14.0	
TP-15	15.0	
TP-16	16.0	
★TP-16.5	16.5	
TP-17	17.0	
TP-18	18.0	
★TP-18.5	18.5	
TP-19	19.0	
TP-20	20.0	
TP-21	21.0	
TP-22	22.0	
TP-24.5	24.5	
TP-25	25.0	
TP-27	27.0	
TP-30	30.0	
TP-33	33.0	
★TP-35	35.0	



SPACER HEXAGONAL

TP

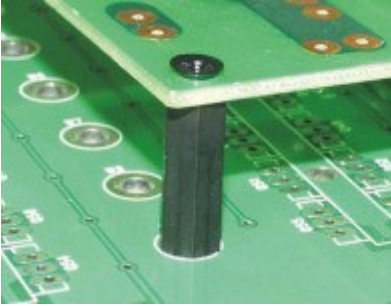
MATERIAL: NYLON 66
 FLAME CLASS: 94V-2 / 94V-0
 COLOR: NATURAL
 UNIT: mm



PART NO.	A	PACKAGE
TP-5S	5.0	1000
TP-10.8	10.8	
TP-11.2	11.2	

FREROX PLASTIC COMPONENTS

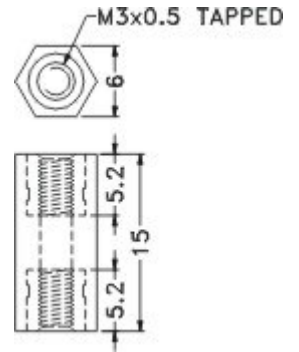
SPACERS



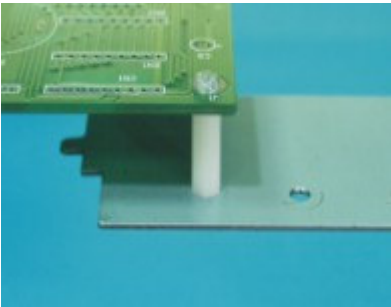
SPACER HEXAGONAL

HPC-15

MATERIAL: NYLON 66 UL94V-2
 COLOR: BLACK
 UNIT: mm



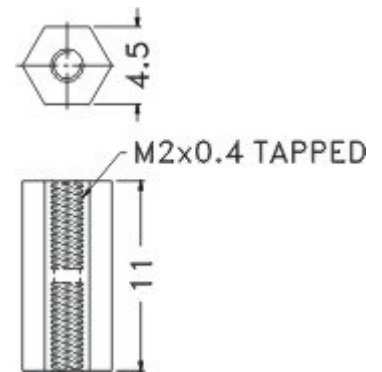
PARTNO	PACKAGE
HPC-15	1000



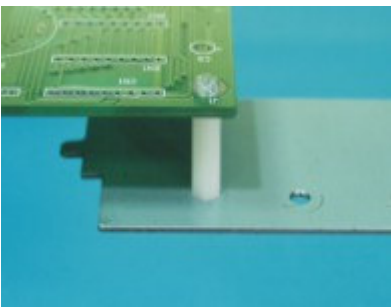
SPACER HEXAGONAL

HP2-11

MATERIAL: NYLON 66
 FLAME CLASS: 94V-2
 COLOR: NATURAL
 UNIT: mm



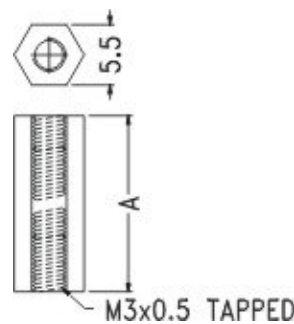
PART NO	PACKAGE
HP2-11	1000



SPACER HEXAGONAL

HP-H

MATERIAL: NYLON 66
 FLAME CLASS: 94V-2/94V-0
 COLOR: NATURAL
 UNIT: mm



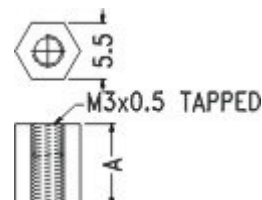
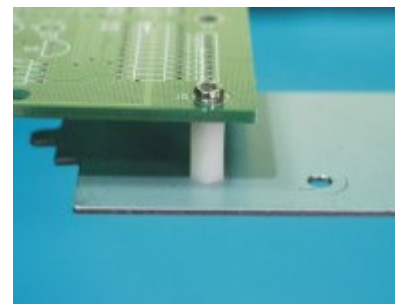
PART NO.	A	PACKAGE
HP-12	12.7	1000
HP-13.5	13.5	
HP-14	14.0	
HP-15	15.0	
HP-16	16.0	
HP-17	17.0	
HP-18	18.0	
HP-19	19.0	
HP-20	20.0	
HP-22	22.0	
HP-25	25.0	
HP-27	27.0	
HP-30	30.0	
HP-32	32.0	
HP-38	38.0	500
HP-40	40.0	
HP-42	42.0	
HP-45	45.0	
HP-49	49.0	

SPACER HEXAGONAL

HP

MATERIAL: NYLON 66
 FLAME CLASS: 94V-2/94V-0
 COLOR: NATURAL
 UNIT: mm

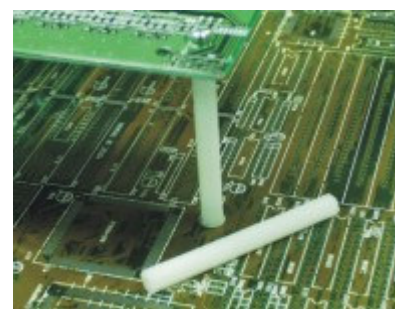
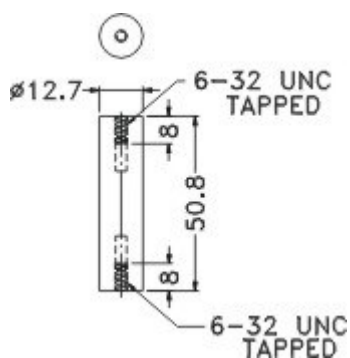
PART NO	A	PACKAGE
HP-4	4.0	1000
HP-5	5.0	
HP-6	6.0	
HP-7	7.0	
HP-8	8.0	
HP-9	9.0	
HP-9.5	9.5	
HP-10	10.0	
HP-10.5	10.5	
HP-11	11.0	
HP-12A	12.0	



SPACER HEXAGONAL

HPP632-51

MATERIAL: POM
 FLAME CLASS: 94HB
 COLOR: NATURAL
 UNIT: mm

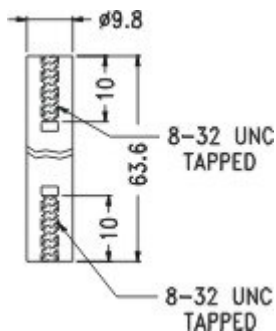


PARTNO	PACKAGE
HPP632-51	250

SPACER HEXAGONAL

HPP10-64

MATERIAL: NYLON 66
 FLAME CLASS: 94V-2
 COLOR: NATURAL
 UNIT: mm



PARTNO	PACKAGE
HPP10-64	250