



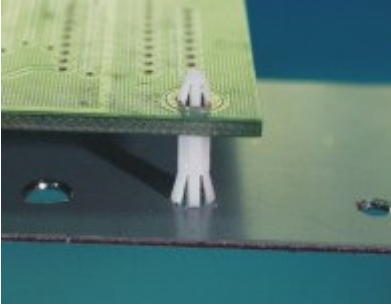
CATALOGUS: FREROX

PLASTIC PARTS FOR ELECTRICAL EQUIPMENT

FREROX ELECTRONICS

3

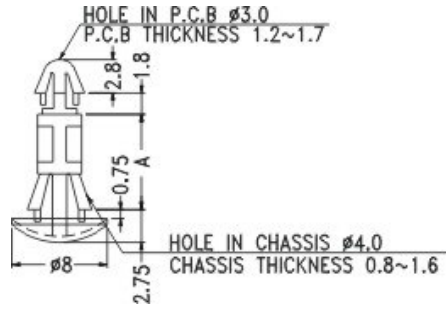
PCB HOLDERS



PCB SPACER

RCA

MATERIAL: NYLON 66(UL)
 FLAME CLASS: 94V-2
 COLOR: NATURAL
 UNIT: mm



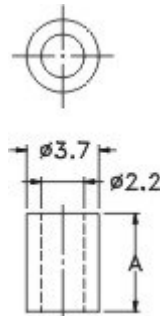
PART NO	A	PACKAGE
RCA-2.5	2.5	2000
RCA-3	3.2	
RCA-4	4.0	
RCA-5	5.0	
RCA-6	6.0	
RCA-7	7.0	1000
RCA-8	8.0	
RCA-9	9.0	
RCA-10	10.0	
RCA-12	12.0	
RCA-14	14.0	
RCA-16	16.0	



SLEEVE

2

MATERIAL: NYLON 66
 FLAME CLASS: 94V-2
 COLOR: NATURAL
 UNIT: mm



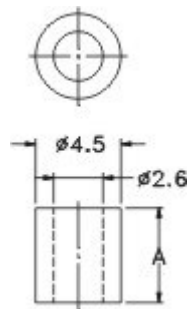
PART NO.	A	PACKAGE
2-2	2.0	2000
2-3	3.0	
2-4	4.0	
2-5	5.0	
2-6	6.0	
2-7	7.0	
2-8	8.0	
2-9	9.0	
2-10	10.0	
2-11	11.0	
2-12	12.0	
2-13	13.0	
2-14	14.0	
2-15	15.0	
2-16	16.0	



SLEEVE

2.6

MATERIAL: NYLON 66
 FLAME CLASS: 94V-2
 COLOR: NATURAL
 UNIT: mm

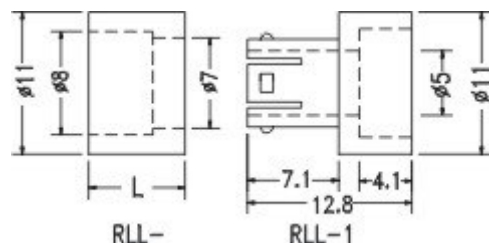


PART NO.	A	PACKAGE
2.6-2	2.0	2000
2.6-3	3.0	
2.6-4	4.0	
2.6-5	5.0	
2.6-6	6.0	
2.6-7	7.0	
2.6-8	8.0	
2.6-9	9.0	
2.6-10	10.0	
2.6-11	11.0	
2.6-12	12.0	
2.6-13	13.0	
2.6-14	14.0	
2.6-15	15.0	
2.6-16	16.0	

SCREW ISOLATOR

RLL-1

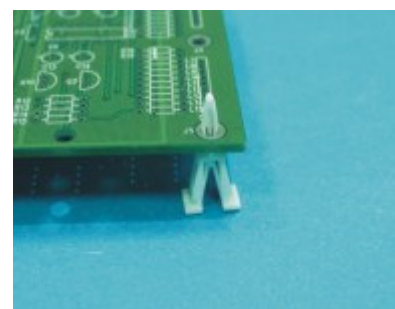
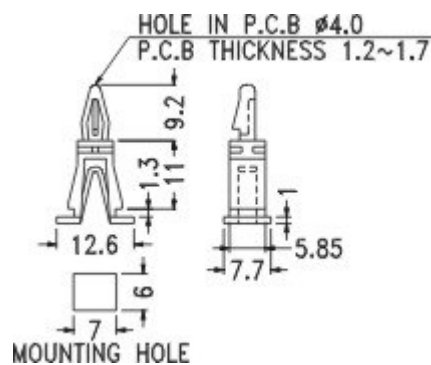
MATERIAL:ABS(UL)
 FLAME CLASS:94HB
 COLOR:WHITE/NATURAL
 UNIT:mm



PCB SPACER

PCC-11

MATERIAL:NYLON 66(UL)
 FLAME CLASS:94V-2
 COLOR:NATURAL
 UNIT:mm

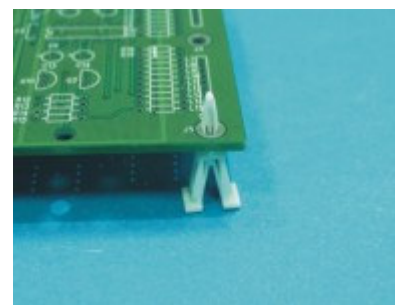
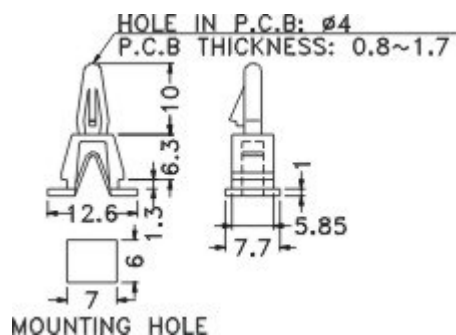


PART NO	PACKAGE
PCC-11	1000

PCB SPACER

PCC-6

MATERIAL:NYLON 66(UL)
 FLAME CLASS:94V-2
 COLOR:NATURAL
 UNIT:mm



PARTNO	PACKAGE
PCC-6	2000

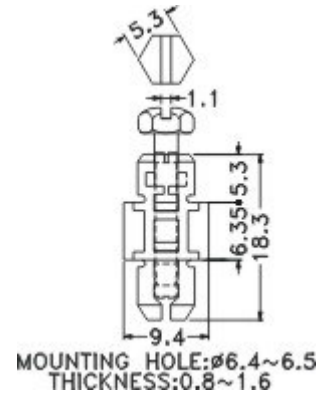


SPACER

SCMB-6.3

MATERIAL: NYLON 66(UL)
 FLAME CLASS: 94V-2
 COLOR: BLACK
 UNIT: mm

PARTNO	PACKAGE
SCMB-6.3	1000

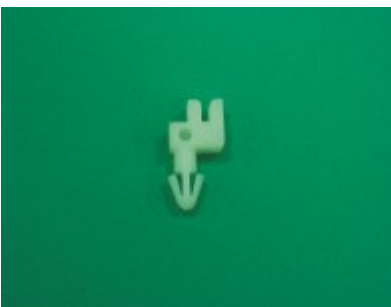
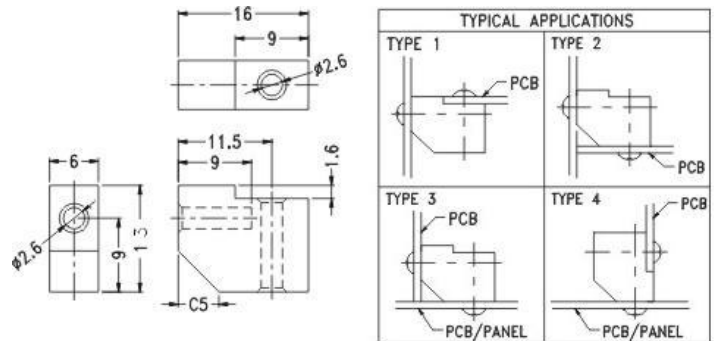


MOUNTING DIABLO

PMB-1

MATERIAL: NYLON 66 (UL)
 FLAME CLASS: 94V-2
 COLOR: NATURAL
 UNIT: mm

PARTNO	PACKAGE
PMB-1	500

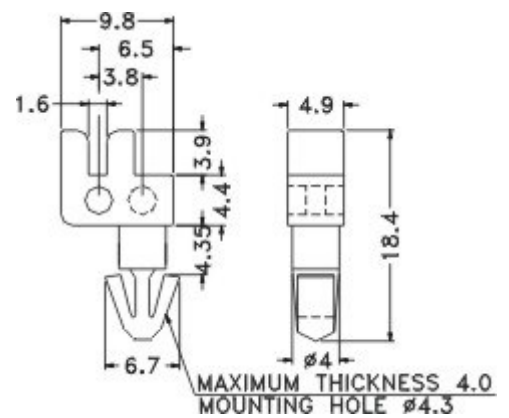


WIRE SPACER

LCU-18

MATERIAL: NYLON 66 (UL)
 FLAME CLASS: 94V-2
 COLOR: NATURAL
 UNIT: mm

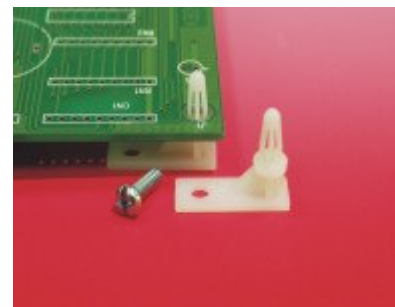
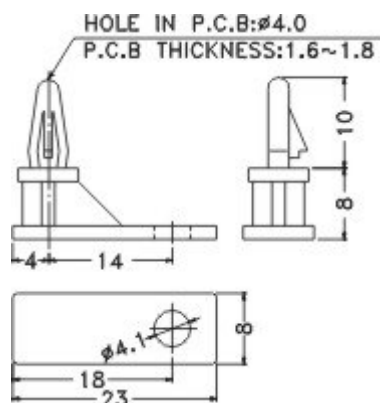
PARTNO	PACKAGE
LCU-18	2000



PCB SPACER

LCBL-8

MATERIAL:NYLON 66 (UL)
 FLAME CLASS:94V-2
 COLOR:NATURAL
 UNIT:mm

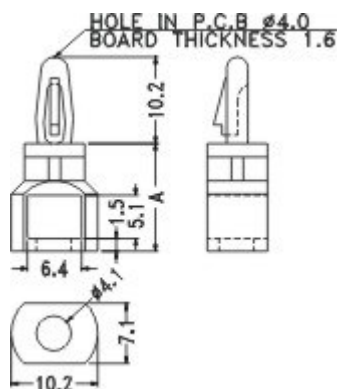


PARTNO	PACKAGE
LCBL-8	1000

PCB SPACER

SRLCB

MATERIAL:NYLON 66 (UL)
 FLAME CLASS:94V-2
 COLOR:NATURAL
 UNIT:mm

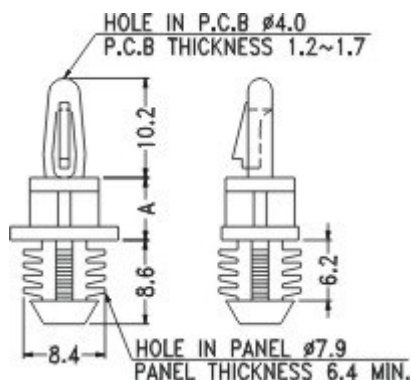


PART NO.	A	PACKAGE
SRLCB-9	9.5	1000
SRLCB-11	11.1	
SRLCB-12	12.7	
SRLCB-15	15.9	

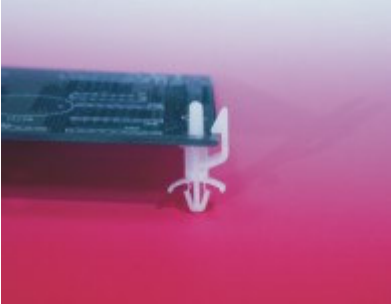
PCB SPACER

WBH

MATERIAL:NYLON 66 (UL)
 FLAME CLASS:94V-2
 COLOR:NATURAL
 UNIT:mm



PART NO.	A	PACKAGE
WBH-5	4.8	1000
WBH-6	6.4	
WBH-9	9.5	
★WBH-12	12.7	
★WBH-25	25.4	

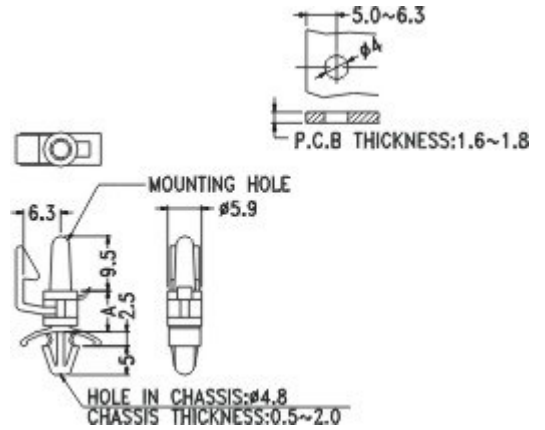


PCB SPACER

ULCB

MATERIAL: NYLON 66 (UL)
 FLAME CLASS: 94V-2
 COLOR: NATURAL
 UNIT: mm

PART NO.	A	PACKAGE
ULCB-6	6.3	1000
ULCB-8	8.0	
ULCB-9	9.5	
ULCB-12	12.7	
ULCB-16	15.9	

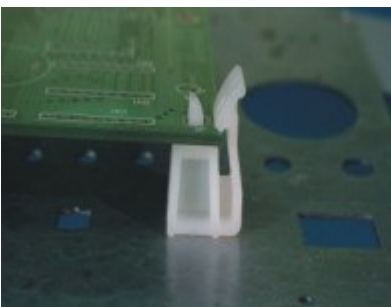
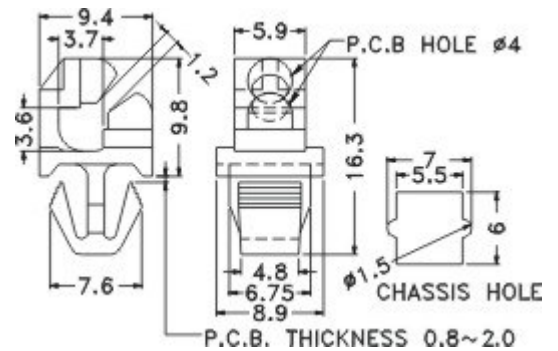


PCB SPACER

LCMM-4

MATERIAL: NYLON 66 (UL)
 FLAME CLASS: 94V-2
 COLOR: NATURAL
 UNIT: mm

PART NO	PACKAGE
LCMM-4	1000

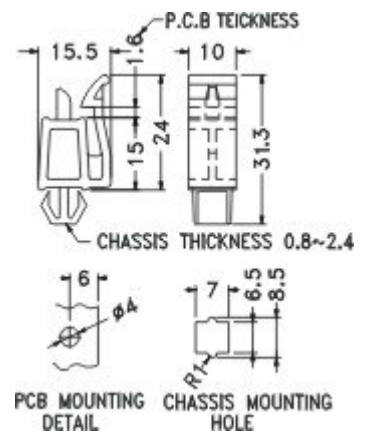


PCB SPACER

KES-15

MATERIAL: NYLON 66 (UL)
 FLAME CLASS: 94V-2
 COLOR: NATURAL
 UNIT: mm

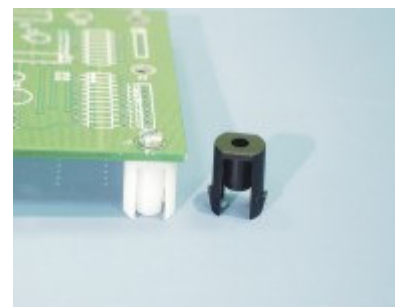
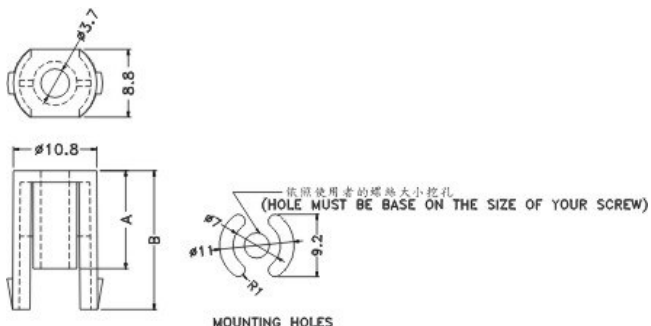
PART NO	PACKAGE
KES-15	500



PCB SPACER

DVDS

MATERIAL: NYLON 66 (UL)
 FLAME CLASS: 94V-2
 COLOR: NATURAL/BLACK
 UNIT: mm

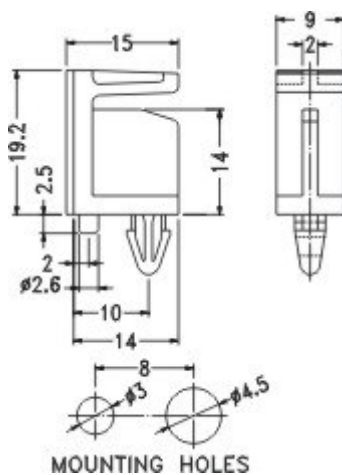


PART NO	A	B	PACKAGE
DVDS-9	9.4	14.7	500
DVDS-12	12.7	18.1	

PCB MOUNTING

UB-14D

MATERIAL: NYLON 66 (UL)
 FLAME CLASS: 94V-2
 COLOR: NATURAL
 UNIT: mm

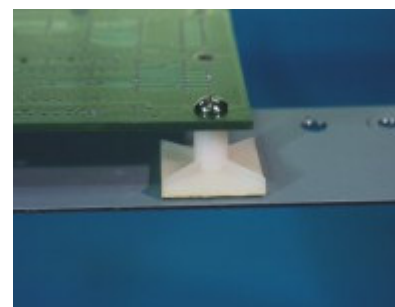
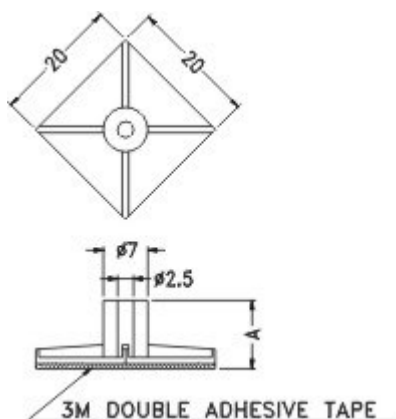


PART NO	PACKAGE
UB-14D	1000

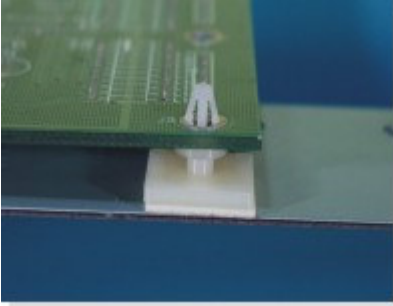
PCB SPACER

ASR

MATERIAL: NYLON 66 (UL)
 FLAME CLASS: 94V-2
 COLOR: NATURAL
 UNIT: mm



PART NO.	A	PACKAGE
ASR-6	6.4	500
ASR-11	11.0	

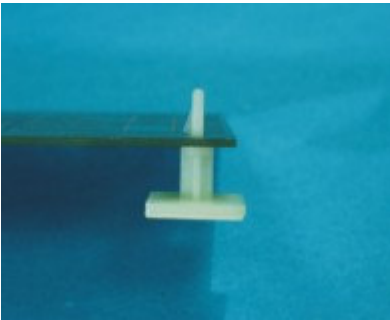
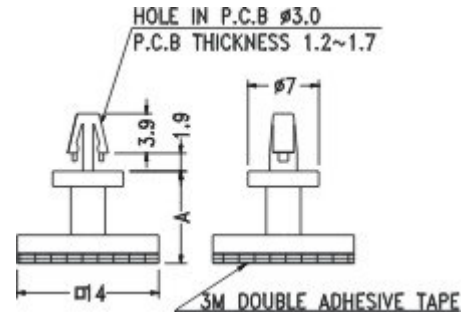


PCB HOLDER

BSS

MATERIAL: NYLON 66 (UL)
 FLAME CLASS: 94V-2
 COLOR: NATURAL
 UNIT: mm

PART NO	A	PACKAGE
BSS-6	6.5	1000
BSS-9	8.9	
BSS-12	12.8	

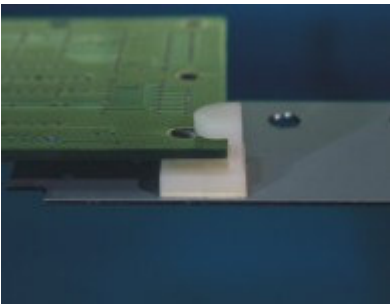
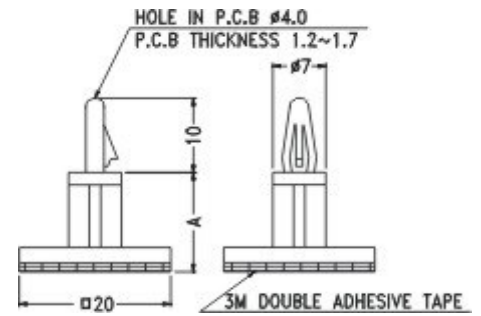


PCB HOLDER

ASS

MATERIAL: NYLON 66 (UL)
 FLAME CLASS: 94V-2
 COLOR: NATURAL
 UNIT: mm

PART NO	A	PACKAGE
ASS-5	5.4	500
ASS-6	6.4	
ASS-8	8.0	
ASS-10	9.9	
ASS-12	12.9	
ASS-15	16.3	

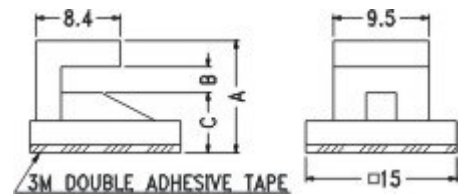


PCB HOLDER

UB

MATERIAL: NYLON 66 (UL)
 FLAME CLASS: 94V-2
 COLOR: NATURAL/BLACK
 UNIT: mm

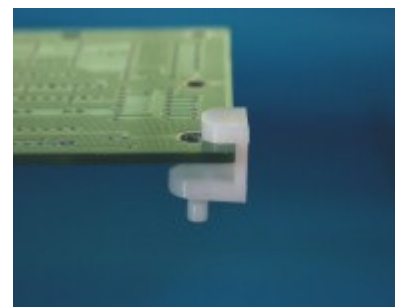
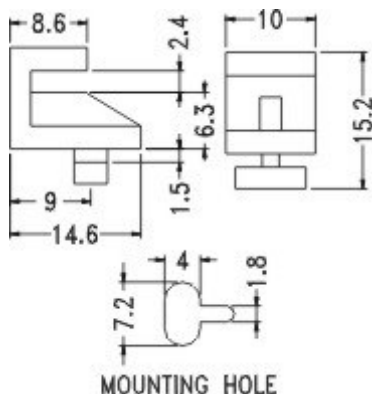
PART NO	A	B	C	PACKAGE
UB-6A	11.3	2.6	6.0	1000
UB-8A	12.8	2.4	7.9	
UB-10A	15.0	2.5	10.0	
UB-11A	15.8	2.5	10.8	
UB-12A	17.0	2.5	12.0	



PCB HOLDER

UB-6E

MATERIAL: NYLON 66 (UL)
 FLAME CLASS: 94V-2
 COLOR: NATURAL
 UNIT: mm

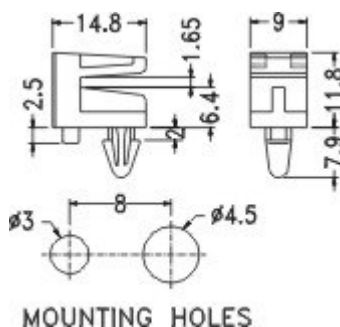


PART NO	PACKAGE
UB-6E	1000

PCB HOLDER

UB-6D

MATERIAL: NYLON 66 (UL)
 FLAME CLASS: 94V-2
 COLOR: NATURAL
 UNIT: mm

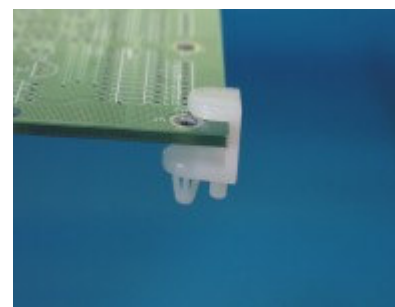
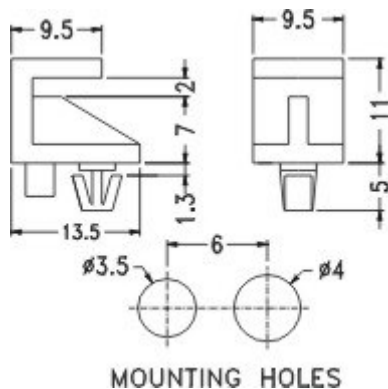


PART NO	PACKAGE
UB-6D	1000

PCB HOLDER

UB-6

MATERIAL: NYLON 66 (UL)
 FLAME CLASS: 94V-2
 COLOR: NATURAL
 UNIT: mm



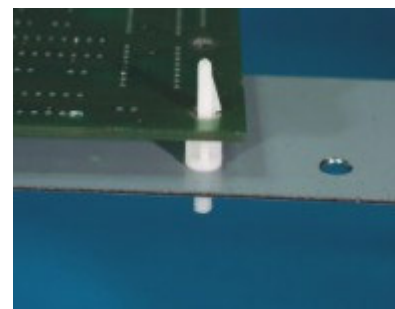
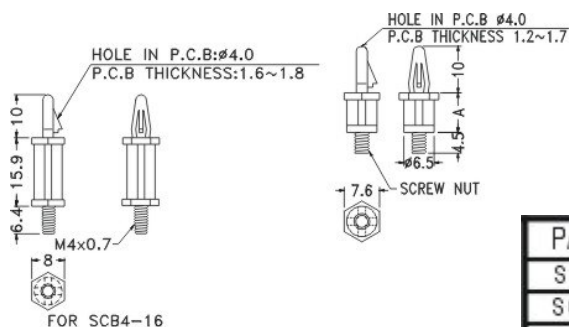
PART NO	PACKAGE
UB-6	1000



PCB SPACER

SCB

MATERIAL: NYLON 66 (UL)
 FLAME CLASS: 94V-2
 COLOR: NATURAL
 UNIT: mm



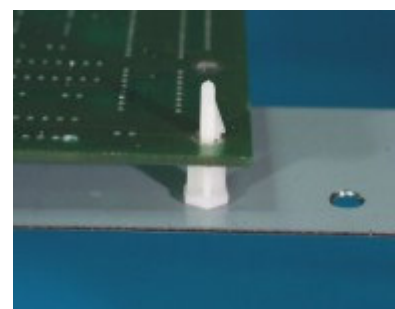
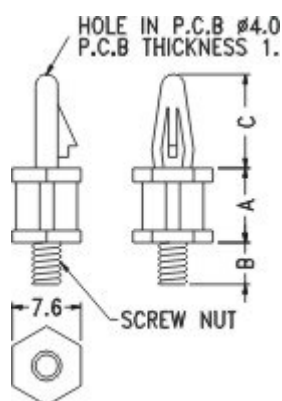
PART NO	A	SCREW NUT	PACKAGE
SCB-8.5S	8.5	6-32 UNC	1000
SCB-10SA	10.0	6-32 UNC	
SCB4-16	15.9	M4	

1-31

PCB SPACER

SCB

MATERIAL: NYLON 66(UL)
 FLAME CLASS: 94V-2
 COLOR: NATURAL
 UNIT: mm

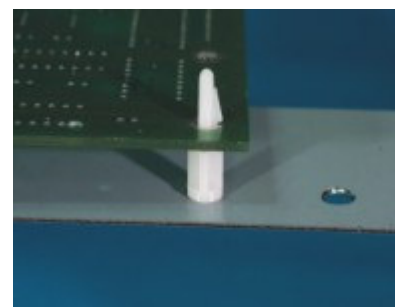
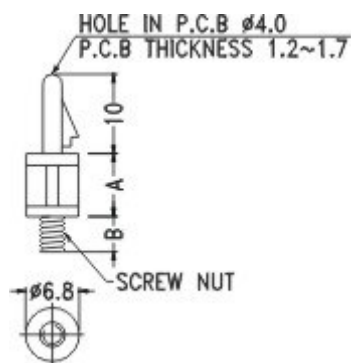


PART NO	A	B	C	SCREW NUT	PACKAGE
SCB-6S	6.3	4.8	10.0	6-32 UNC	1000
SCB-8S	8.0	4.5	10.0	6-32 UNC	
SCB-10S	10.0	4.5	10.0	6-32 UNC	
SCB4-6	6.3	4.8	10.7	M4	

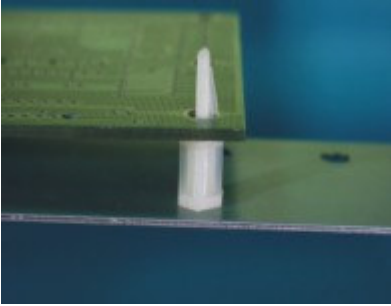
PCB SPACER

SCB

MATERIAL: NYLON 66(UL)
 FLAME CLASS: 94V-2
 COLOR: NATURAL
 UNIT: mm



PART NO	A	B	SCREW NUT	PACKAGE
SCB-6	6.3	7.8	6-32 UNC	1000
SCB-10	9.5	7.8	6-32 UNC	
SCB-12	12.7	7.8	6-32 UNC	
SCB-15	15.9	7.8	6-32 UNC	

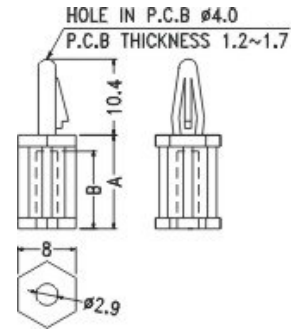


PCB SPACER

BS

MATERIAL: NYLON 66(UL)
 FLAME CLASS: 94V-2
 COLOR: NATURAL
 UNIT: mm

PART NO.	A	B	PACKAGE
BS-6	6.4	4.8	1000
BS-9	9.6	8.0	
BS-12	12.8	11.0	
BS-14	14.0	12.7	
BS-15	16.0	13.0	
BS-19	19.2	16.2	
BS-22	22.4	19.4	
BS-25	25.6	24.0	
BS-28	29.0	25.9	

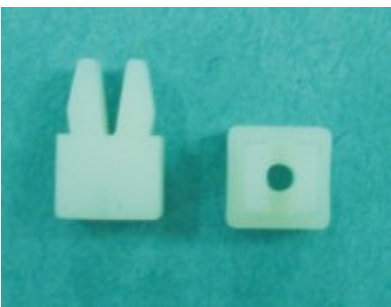
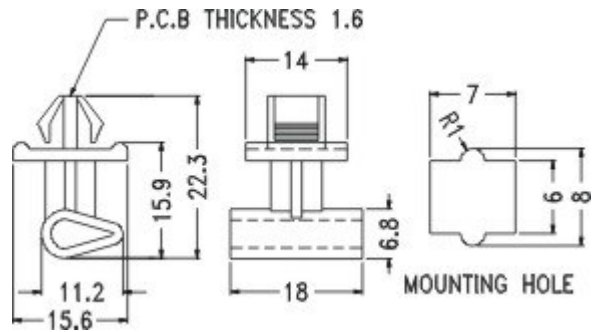


PCB SPACER

PS-16

MATERIAL: NYLON 66(UL)
 FLAME CLASS: 94V-2
 COLOR: NATURAL
 UNIT: mm

PART NO	PACKAGE
PS-16	500

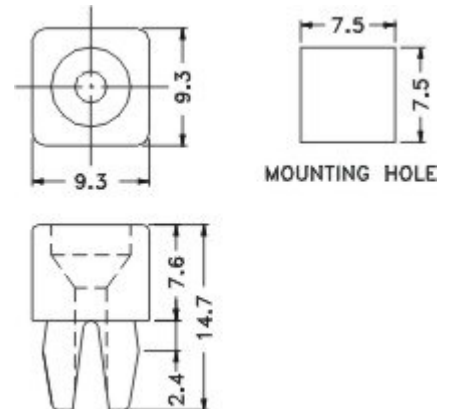


PCB SPACER

ESS-7.6

MATERIAL: NYLON 66(UL)
 FLAME CLASS: 94V-2
 COLOR: NATURAL
 UNIT: mm

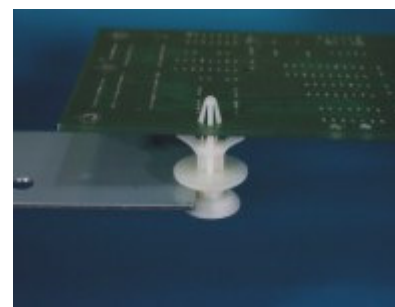
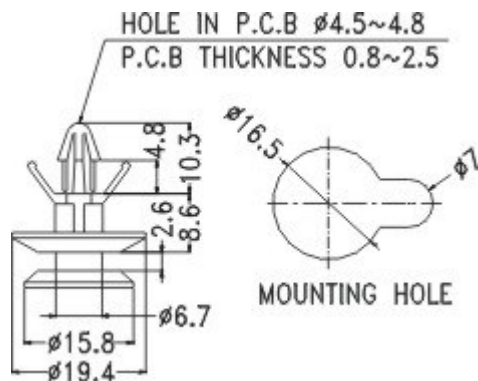
PARTNO	PACKAGE
ESS-7.6	1000



PCB HOLDER

MBD-10

MATERIAL: NYLON 66(UL)
 FLAME CLASS: 94V-2
 COLOR: NATURAL
 UNIT: mm

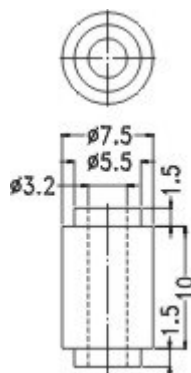


PART NO	PACKAGE
MBD-10	500

PCB HOLDER

LUS-10

MATERIAL: NYLON 66
 FLAME CLASS: 94V-2
 COLOR: NATURAL
 UNIT: mm

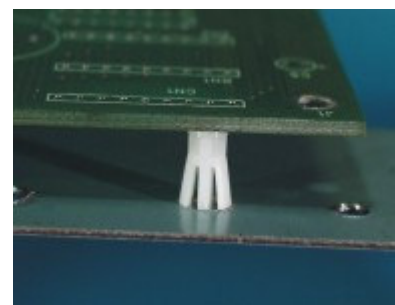
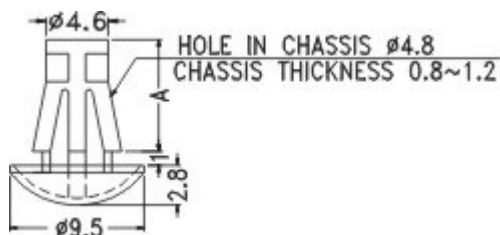


PART NO	PACKAGE
LUS-10	1000

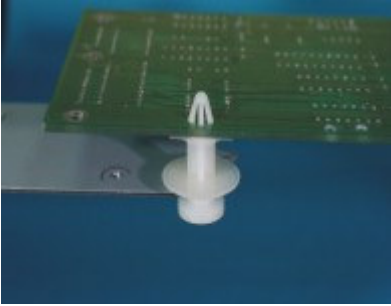
PCB HOLDER

RAD

MATERIAL: NYLON 66(UL)
 FLAME CLASS: 94V-2
 UNIT: mm



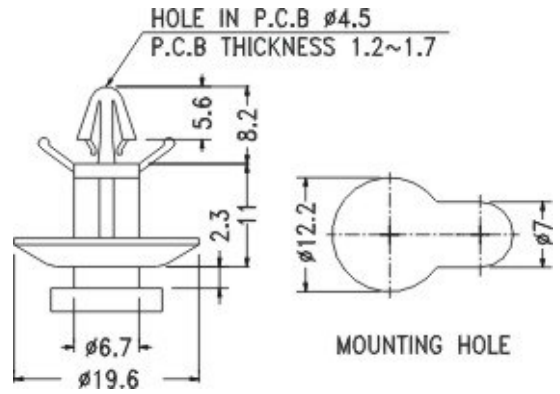
PART NO	A	PACKAGE
RAD-3	3.0	1000
RAD-6	6.3	
RAD-8	8.0	
RAD-10	10.0	
RAD-11	11.0	



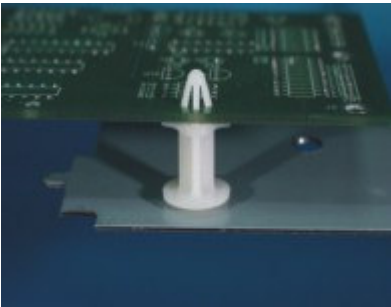
PCB HOLDER

MBC-11

MATERIAL: NYLON 66(UL)
 FLAME CLASS: 94V-2
 COLOR: NATURAL
 UNIT: mm



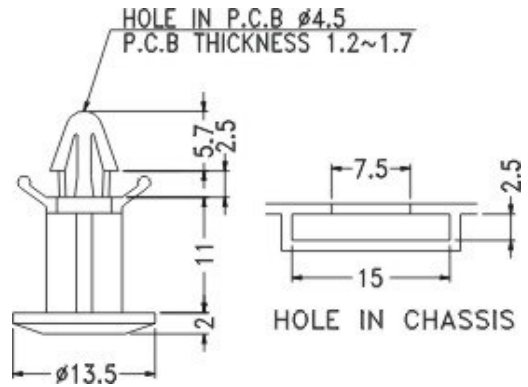
PART NO	PACKAGE
MBC-11	500



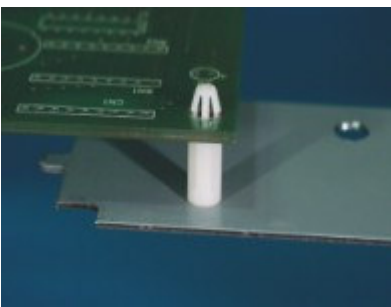
PCB HOLDER

MTD-11

MATERIAL: NYLON 66(UL)
 FLAME CLASS: 94V-2
 COLOR: NATURAL
 UNIT: mm



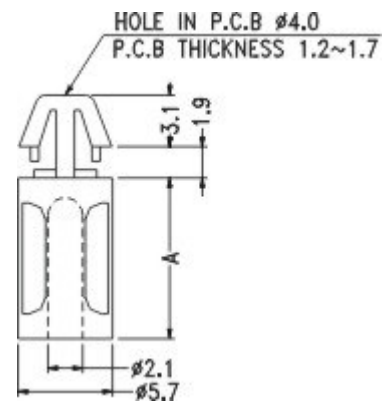
PART NO	PACKAGE
MTD-11	500



PCB HOLDER

MCH

MATERIAL: NYLON 66(UL)
 FLAME CLASS: 94V-2
 COLOR: NATURAL
 UNIT: mm

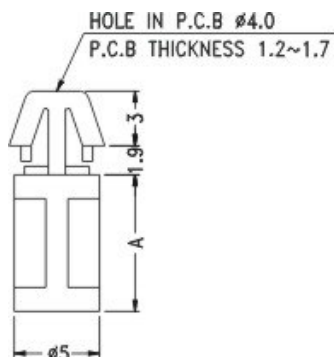


PART NO	A	PACKAGE
MCH-6	6.35	1000
MCH-10	9.7	
MCH-12	12.7	

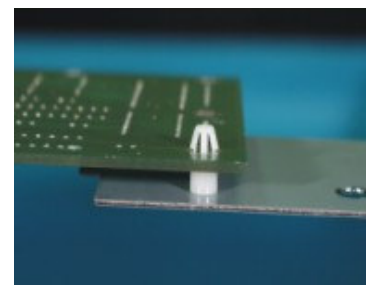
PCB HOLDER

MC

MATERIAL: NYLON 66(UL)
 FLAME CLASS: 94V-2
 COLOR: NATURAL
 UNIT: mm



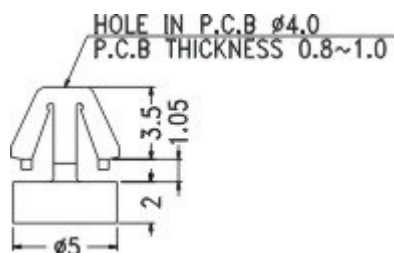
PARTNO	A	PACKAGE
MC-3	3.0	2000
MC-4	4.0	
MC-5	5.0	
MC-6	6.3	
MC-7	7.0	
MC-8	8.0	
MC-10	10.0	
MC-12	12.7	1000



PCB HOLDER

MC-2-1.2

MATERIAL: NYLON 66(UL)
 FLAME CLASS: 94V-2
 COLOR: NATURAL
 UNIT: mm



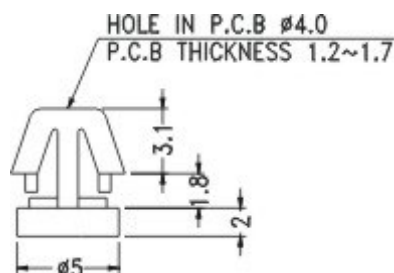
PARTNO	PACKAGE
MC-2-1.2	2000



PCB HOLDER

MC-2

MATERIAL: NYLON 66(UL)
 FLAME CLASS: 94V-2
 COLOR: NATURAL
 UNIT: mm



PARTNO	PACKAGE
MC-2	2000



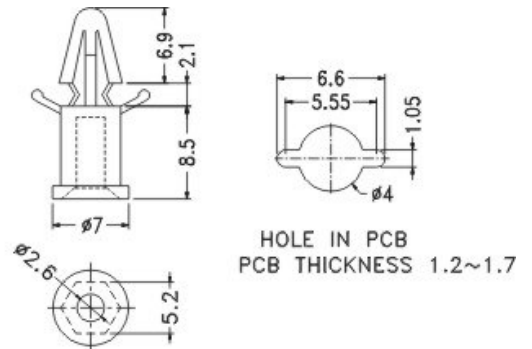


PART NO	PACKAGE
TCBT-8.5	1000

PCB HOLDER

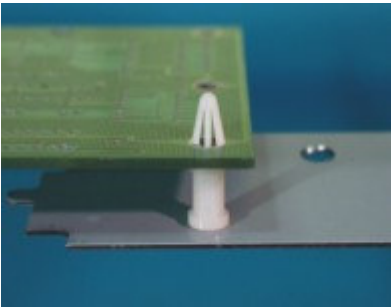
TCBT-8.5

MATERIAL: NYLON 66(UL)
 FLAME CLASS: 94V-2
 COLOR: NATURAL
 UNIT: mm



HOLE IN PCB
 PCB THICKNESS 1.2~1.7

FOR M3 SELF TAPPED SCREW

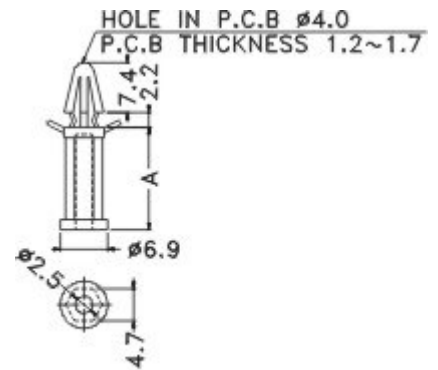


PCB HOLDER

TCBS

MATERIAL: NYLON 66(UL)
 FLAME CLASS: 94V-2
 COLOR: NATURAL
 UNIT: mm

PART NO	A	PACKAGE
TCBS-5	5.0	1000
TCBS-6	6.35	
TCBS-7	7.0	
TCBS-10	10.0	
TCBS-15	15.0	
TCBS-20	20.0	
TCBS-25	25.0	
TCBS-30	30.0	
TCBS-35	35.0	



FOR M3 SELF TAPPED SCREW

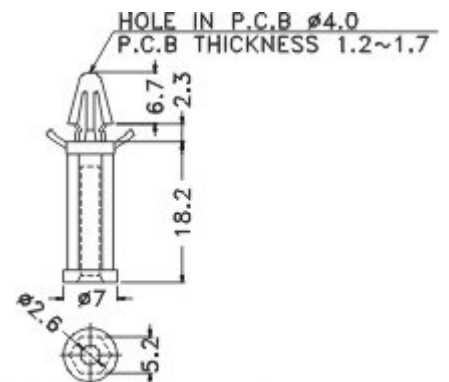


PART NO	PACKAGE
TCBS-18	1000

PCB HOLDER

TCBS-18

MATERIAL: NYLON 66(UL)
 FLAME CLASS: 94V-2
 COLOR: NATURAL
 UNIT: mm

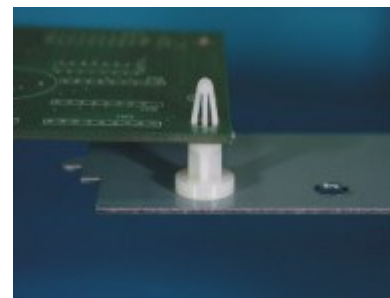
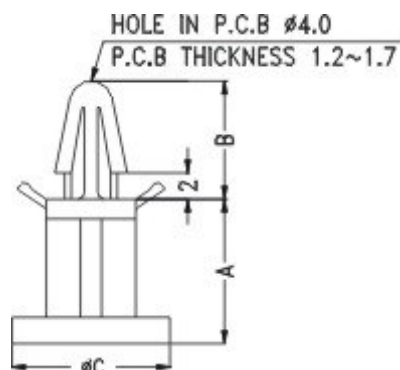


FOR M3 SELF TAPPED SCREW

PCB HOLDER

MBS

MATERIAL:NYLON 66(UL)
 FLAME CLASS:94V-2
 COLOR:NATURAL
 UNIT:mm

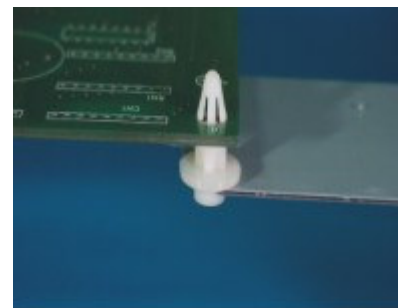
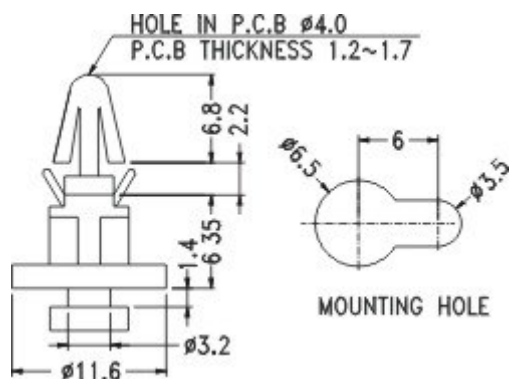


PART NO	A	B	C	PACKAGE
MBS-6	6.4	9.5	11.8	1000
MBS-8	8.0	9.5	11.8	
MBS-10	10.0	9.0	12.0	
MBS-11	11.0	9.0	12.0	500

PCB HOLDER

MCB-6

MATERIAL:NYLON 66(UL)
 FLAME CLASS:94V-2
 COLOR:NATURAL
 UNIT:mm

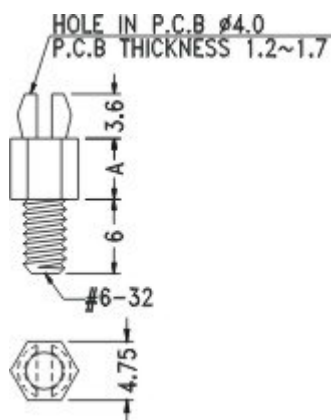


PART NO	PACKAGE
MCB-6	500

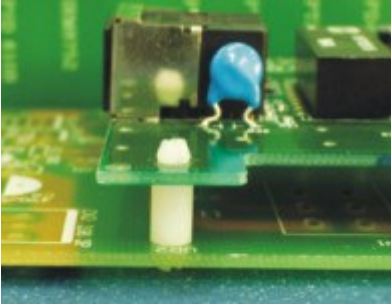
PCB HOLDER

MSPS

MATERIAL:NYLON 66(UL)
 FLAME CLASS:94V-2
 COLOR:NATURAL
 UNIT:mm



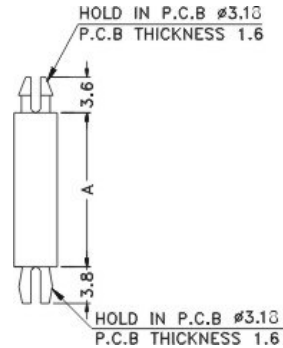
PART NO	A	PACKAGE
MSPS-3	3.2	2000
MSPS-5	4.8	1000



PCB HOLDER

MSP3

MATERIAL: NYLON 66(UL)
 FLAME CLASS: 94V-2
 COLOR: NATURAL
 UNIT: mm



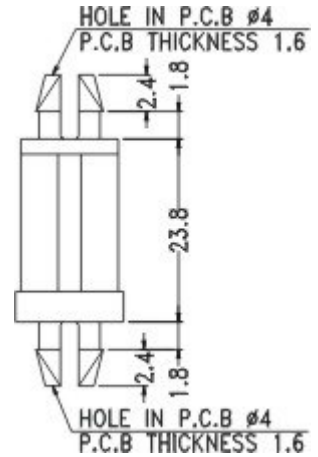
PART NO.	A	PACKAGE
MSP3-3	3.2	1000
MSP3-5	4.8	
MSP3-6	6.4	
MSP3-8	7.9	
MSP3-9.5	9.5	
MSP3-11	11.1	
MSP3-12	12.7	
MSP3-14	14.3	
MSP3-15.9	15.9	
MSP3-17	17.5	
MSP3-19	19.1	
MSP3-20	20.6	
MSP3-22	22.2	
MSP3-25	25.4	
MSP3-28	28.6	
MSP3-31.7	31.7	
MSP3-34	34.9	
MSP3-38	38.1	



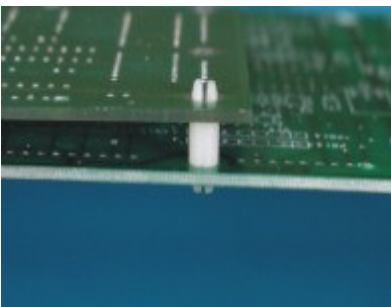
PCB HOLDER

MSPM-24

MATERIAL: NYLON 66(UL)
 FLAME CLASS: 94V-2
 COLOR: NATURAL
 UNIT: mm



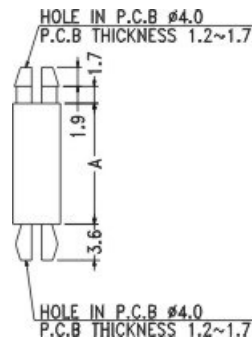
PARTNO	PACKAGE
MSPM-24	1000



PCB HOLDER

MSP

MATERIAL: NYLON 66(UL)
 FLAME CLASS: 94V-2
 COLOR: NATURAL
 UNIT: mm

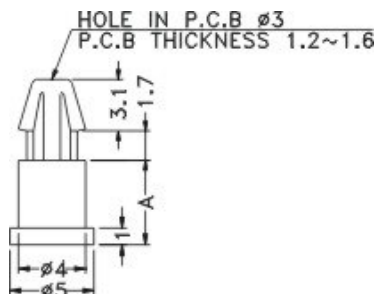


PARTNO	A	PACKAGE
MSP-3	3.2	1000
MSP-4.5	4.5	
MSP-5	5.0	
MSP-6	6.3	
MSP-7	7.0	
MSP-8	8.0	
MSP-9	9.5	
MSP-10	10.5	
MSP-12	12.7	
MSP-14	14.0	
MSP-15	15.9	
MSP-19	19.0	
MSP-22	22.0	

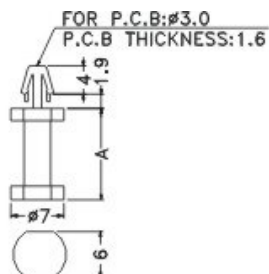
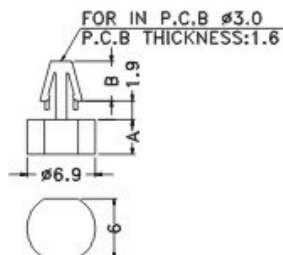
PCB HOLDER

DCC

MATERIAL:NYLON 66(UL)
 FLAME CLASS:94V-2
 COLOR:NATURAL
 UNIT:mm



PART NO.	A	PACKAGE
DCC-2	2.0	2000
DCC-2.5	2.5	
DCC-3	3.0	1000
DCC-3.5	3.5	
DCC-4	4.0	
DCC-4.5	4.5	
DCC-5	5.0	
DCC-5.5	5.5	
DCC-6	6.0	
DCC-6.5	6.5	



PART NO.	A	B	PACKAGE
DCB-3D	3.0	3.7	2000
DCB-3.5D	3.5	4.0	

PART NO.	A	PACKAGE
★DCB-5.5D	5.5	1000
DCB-7D	7.0	
★DCB-9D	9.0	
DCB-11D	11.0	
DCB-12D	12.0	

PCB HOLDER

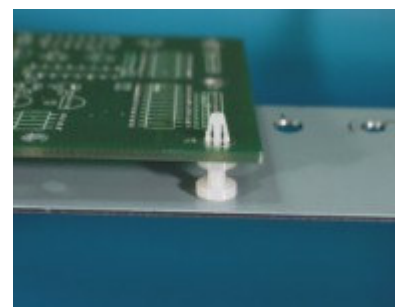
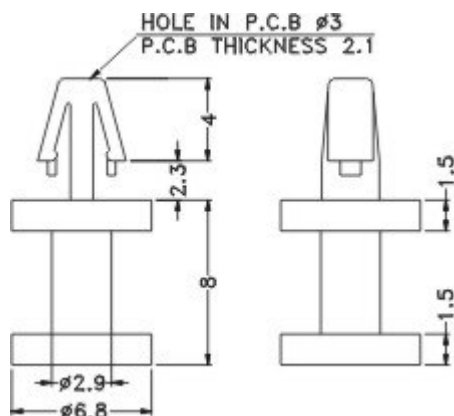
DCB

MATERIAL:NYLON 66(UL)
 FLAME CLASS:94V-2
 COLOR:NATURAL
 UNIT:mm

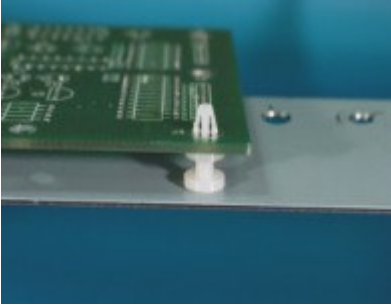
PCB HOLDER

DCB-8(2)

MATERIAL:NYLON 66(UL)
 FLAME CLASS:94V-2
 COLOR:NATURAL
 UNIT:mm



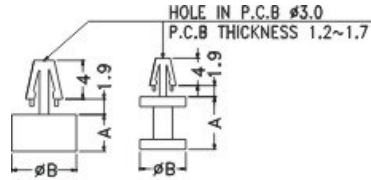
PARTNO	PACKAGE
DCB-8(2)	1000



PCB HOLDER

DCB

MATERIAL: NYLON 66(UL)
 FLAME CLASS: 94V-2
 COLOR: NATURAL
 UNIT: mm



ONLY FOR
 DCB-2
 DCB-2.5
 DCB-3
 DCB-3.5
 DCB-4

PART NO	A	B	PACKAGE
DCB-2	2.0	6.5	2000
DCB-2.5	2.5	6.5	
DCB-3	3.0	6.8	
DCB-3.5	3.5	6.8	
DCB-4	4.0	6.8	1000
DCB-5	5.0	6.0	
DCB-6	6.0	6.8	
DCB-6.5	6.5	6.0	
DCB-7	7.0	6.0	
DCB-8	8.0	6.8	
DCB-10	10.0	6.8	
DCB-15	15.0	6.0	

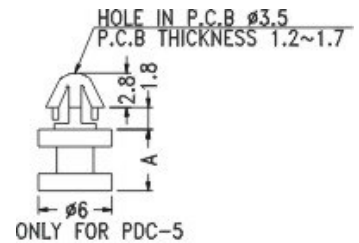


PCB HOLDER

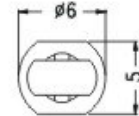
PDC

MATERIAL: NYLON 66(UL)
 FLAME CLASS: 94V-2/94V-0
 COLOR: NATURAL
 UNIT: mm

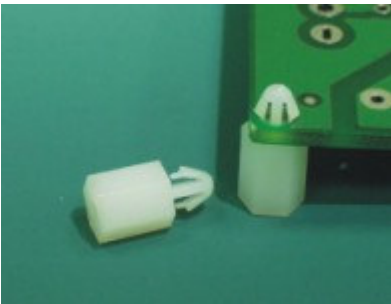
PART NO.	A	PACKAGE
PDC-3	3.0	2000
PDC-3.5	3.5	
PDC-4	4.0	
PDC-5	5.0	
PDC-4.5D	4.5	
PDC-5.5D	5.5	
PDC-6D	6.0	
PDC-7D	7.0	



ONLY FOR PDC-5



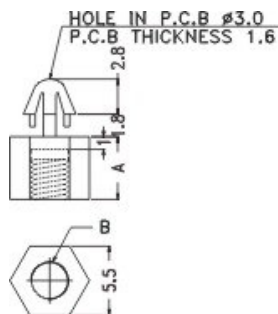
ONLY FOR PDC-4.5D, PDC-5.5D, PDC-6D, PDC-6.5D, PDC-7D



PCB HOLDER

MAE

MATERIAL: NYLON 66(UL)
 FLAME CLASS: 94V-2
 COLOR: NATURAL
 UNIT: mm



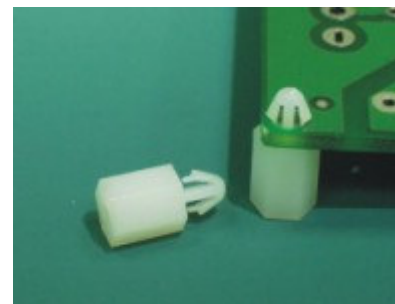
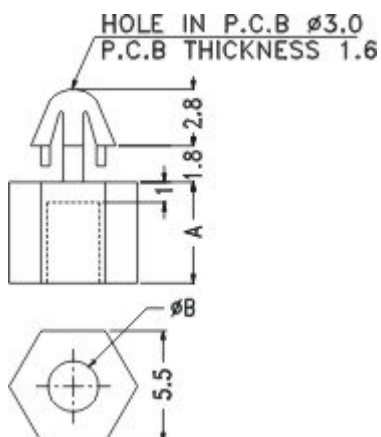
PARTNO	A	B	PACKAGE
MAE-5T	5.0	M3X0.5P	2000
MAE-6T	6.0	M3X0.5P	
MAE-7T	7.0	M3X0.5P	
MAE-8T	8.0	M3X0.5P	
MAE-9T	9.0	M3X0.5P	
MAE-10T	10.0	M3X0.5P	

PCB HOLDER

MAE

MATERIAL:NYLON 66(UL)
 FLAME CLASS:94V-2
 COLOR:NATURAL
 UNIT:mm

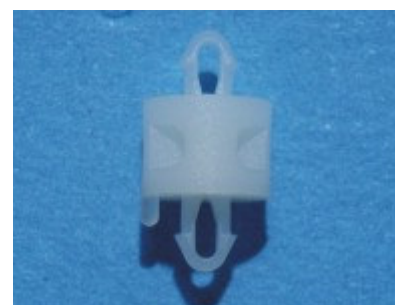
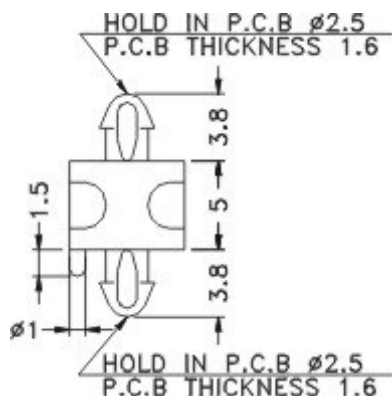
PARTNO	A	B	PACKAGE
MAE-5	5.0	2.5	2000
MAE-6	6.0	2.5	
MAE-7	7.0	2.5	
MAE-8	8.0	2.5	
MAE-9	9.0	2.5	
MAE-10	10.0	2.5	



PCB HOLDER

MADMK-5

MATERIAL:NYLON 66(UL)
 FLAME CLASS:94V-2
 COLOR:NATURAL
 UNIT:mm

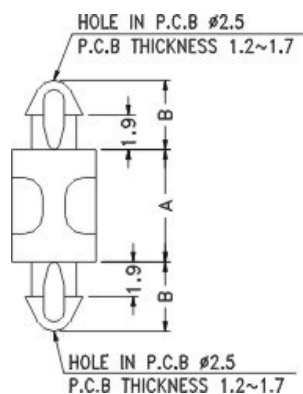


PARTNO	PACKAGE
MADMK-5	2000

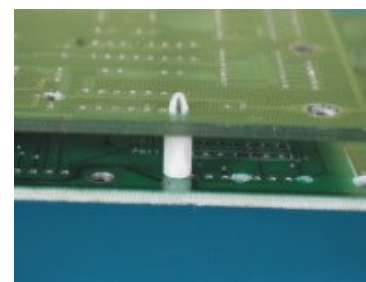
PCB HOLDER

MADM

MATERIAL:NYLON 66(UL)
 FLAME CLASS:94V-2
 COLOR:NATURAL
 UNIT:mm



PARTNO	A	B	PACKAGE
MADM-2	2.0	3.7	2000
MADM-3	3.0		
MADM-4	4.0	3.9	
MADM-5	5.0		
MADM-6	6.0		
MADM-7.5	7.5		
MADM-8	8.0	3.8	
MADM-10A	10.0		
MADM-10	10.5		
MADM-12.7	12.7	3.8	

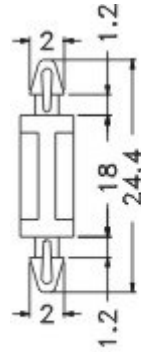




PCB HOLDER

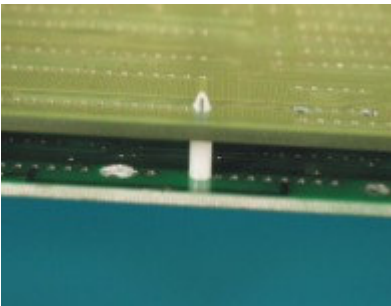
MASSD-18

MATERIAL: NYLON 66(UL)
 FLAME CLASS: 94V-2
 COLOR: NATURAL
 UNIT: mm



HOLE IN P.C.B ϕ 1.5
 CHASSIS THICKNESS 1.0

PART NO	PACKAGE
MASSD-18	2000

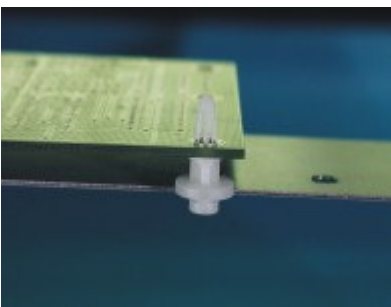
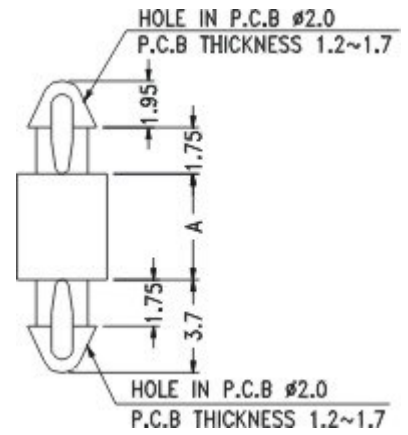


PCB HOLDER

MAD

MATERIAL: NYLON 66(UL)
 FLAME CLASS: 94V-2
 COLOR: NATURAL
 UNIT: mm

PART NO.	A	PACKAGE
MAD-2.2	2.2	2000
MAD-4	4.0	
MAD-5	5.0	
MAD-6	6.0	
MAD-6.5	6.5	
MAD-8	8.0	
MAD-10	10.5	
MAD-12.5	12.5	

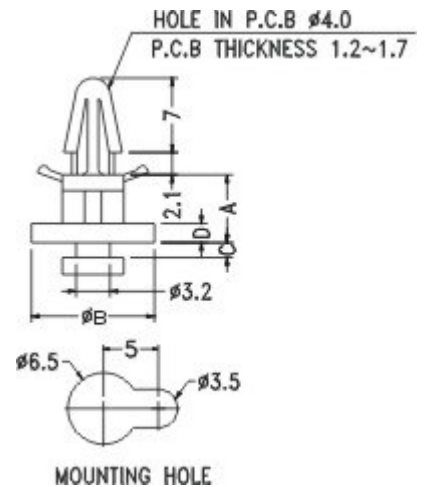


PCB HOLDER

ACB

MATERIAL: NYLON 66(UL)
 FLAME CLASS: 94V-2
 COLOR: NATURAL
 UNIT: mm

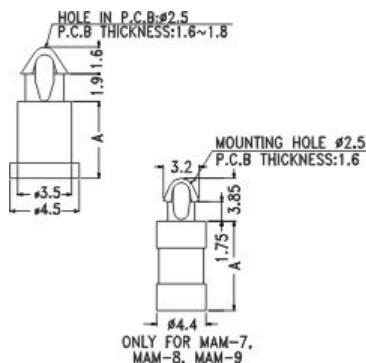
PART NO	A	B	C	D	PACKAGE
ACB-5	5.0	11.7	1.3	1.8	1000
ACB-6	6.3	11.6	1.3	1.8	
ACB-8	8.0	11.6	1.4	1.8	
ACB-68	68.0	11.3	1.3	1.4	
ACB-74	74.0	11.3	1.3	1.4	250



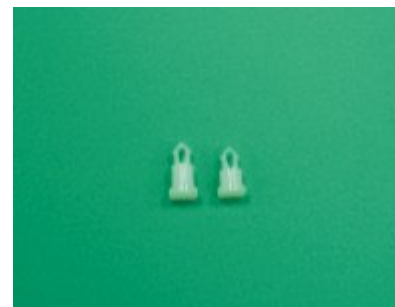
PCB HOLDER

MAM

MATERIAL: NYLON 66(UL)
 FLAME CLASS: 94V-2
 COLOR: NATURAL
 UNIT: mm



PART NO.	A	PACKAGE
MAM-1.5	1.5	2000
MAM-2.5	2.5	
MAM-2.7	2.7	
MAM-3	3.0	
MAM-3.2	3.2	
MAM-3.5	3.5	
MAM-4	4.0	
MAM-4.5	4.5	
MAM-5	5.0	
MAM-6	6.0	
MAM-7	7.0	
MAM-8	8.0	
MAM-9	9.0	

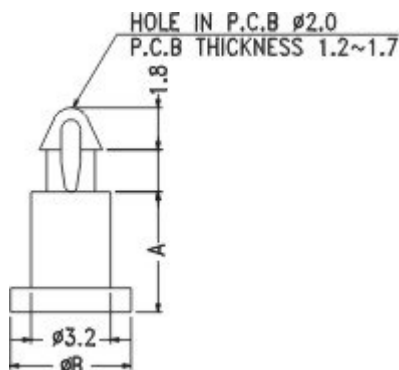


PCB HOLDER

MA

MATERIAL: NYLON 66(UL)
 FLAME CLASS: 94V-2/94V-0
 COLOR: NATURAL
 UNIT: mm

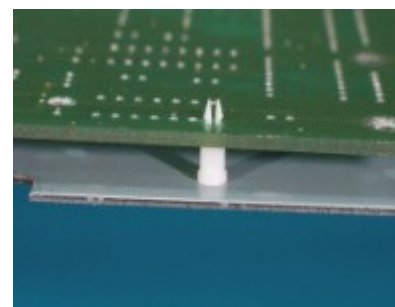
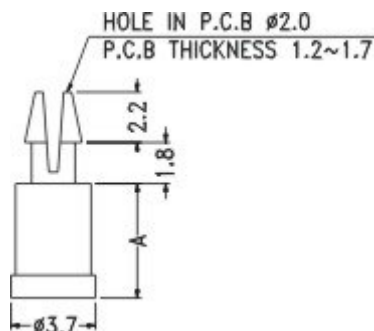
PART NO	A	B	PACKAGE
MA-2	2.0	4.2	2000
MA-2.5	2.5	4.2	
MA-3	3.0	4.8	
MA-3.5	3.5	4.2	
MA-4	4.0	4.8	
MA-5	5.0	4.8	
MA-6	6.0	5.0	
MA-6.5	6.5	5.0	



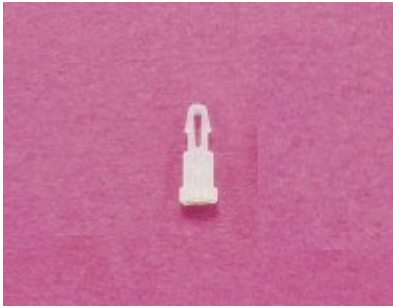
PCB HOLDER

MS

MATERIAL: NYLON 66(UL)
 FLAME CLASS: 94V-2
 COLOR: NATURAL
 UNIT: mm



PART NO	A	PACKAGE
MS-4	4.0	2000
MS-5	5.0	

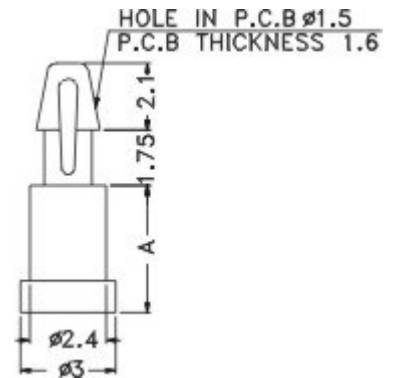


PCB HOLDER

MASS

MATERIAL: NYLON 66(UL)
 FLAME CLASS: 94V-2
 COLOR: NATURAL
 UNIT: mm

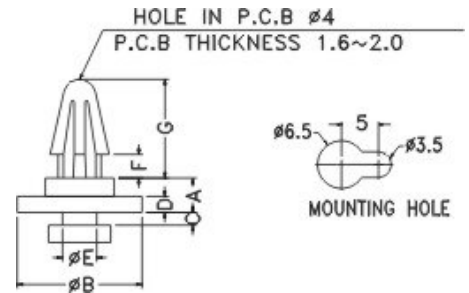
PARTNO	A	PACKAGE
MASS-2	2.0	2000
MASS-2.5	2.5	
MASS-3	3.0	
MASS-3.5	3.5	
MASS-4	4.0	
MASS-5	5.0	
MASS-6	6.0	
MASS-6.5	6.5	



PCB HOLDER

ACB

MATERIAL: NYLON 66(UL)
 FLAME CLASS: 94V-2
 COLOR: NATURAL
 UNIT: mm



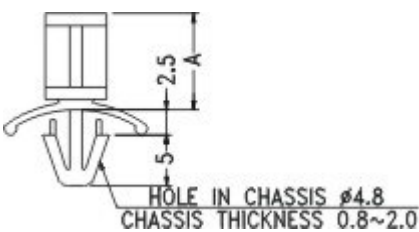
PART NO.	A	B	C	D	E	F	G	PACKAGE
ACB-2.5	2.5	11.5	1.4	1.5	2.8	2.0	9.1	1000
ACB-3	3.2	11.6	1.2		3.2	2.2	9.2	



PCB HOLDER

LAS

MATERIAL: NYLON 66(UL)
 FLAME CLASS: 94V-2
 COLOR: NATURAL
 UNIT: mm



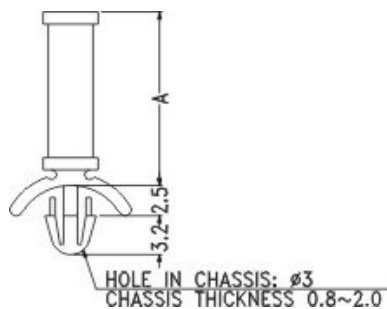
PART NO.	A	PACKAGE
LAS-25	25.4	1000
LAS-28	28.6	500
LAS-31	31.7	
LAS-35	34.9	

PART NO.	A	PACKAGE
LAS-3	3.5	1000
LAS-5	4.8	
LAS-6	6.0	
LAS-6A	6.4	
LAS-8	7.9	
LAS-9	9.5	
LAS-11	11.1	
LAS-12	12.7	
LAS-16	15.9	
LAS-19	19.1	
LAS-22	22.2	

PCB HOLDER

LBS

MATERIAL: NYLON 66(UL)
 FLAME CLASS: 94V-2
 COLOR: NATURAL
 UNIT: mm



PART NO	A	PACKAGE
LBS-3	3.2	1000
LBS-5	4.8	
LBS-6	6.4	
LBS-8	7.9	
LBS-9	9.5	
LBS-11	11.1	
LBS-12	12.7	
LBS-14	14.3	
LBS-15	15.9	
LBS-19	19.0	

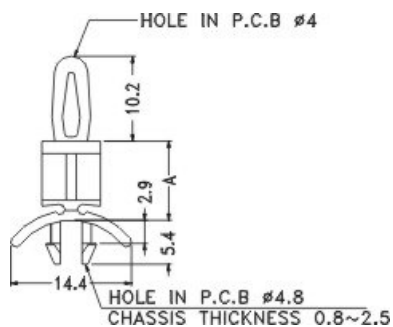


PCB HOLDER

UCBS

MATERIAL: NYLON 66(UL)
 FLAME CLASS: 94V-2
 COLOR: NATURAL
 UNIT: mm

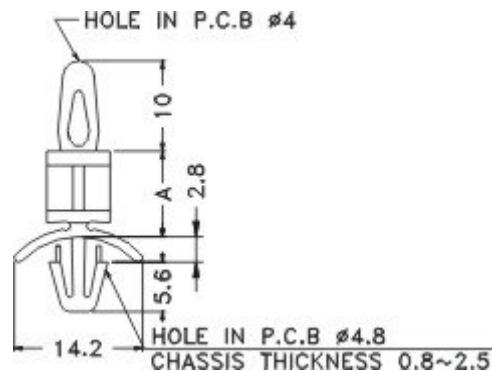
PART NO.	A	PACKAGE
UCBS-5	4.8	1000
UCBS-6	6.4	
UCBS-9	9.5	
UCBS-12	12.7	
UCBS-15	15.9	
UCBS-19	19.1	
UCBS-22	22.2	



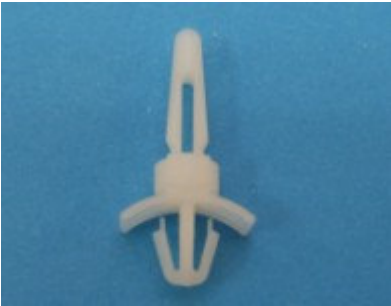
PCB HOLDER

LCP

MATERIAL: NYLON 66(UL)
 FLAME CLASS: 94V-2
 COLOR: NATURAL
 UNIT: mm



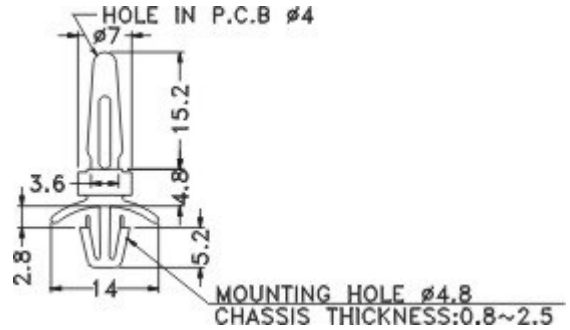
PART NO.	A	PACKAGE
LCP-9	9.5	1000
LCP-22	22.2	



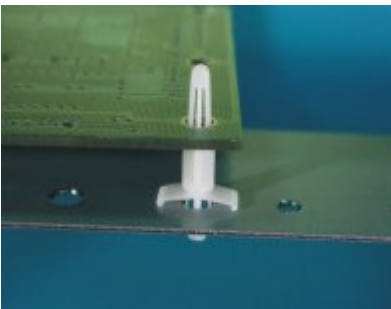
PCB HOLDER

LCY-4.8

MATERIAL: NYLON 66(UL)
 FLAME CLASS: 94V-2
 COLOR: NATURAL
 UNIT: mm



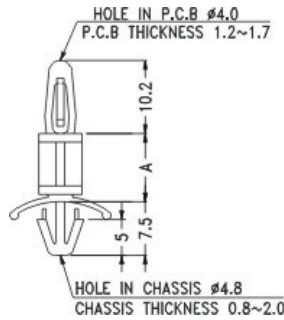
PART NO	PACKAGE
LCY-4.8	1000



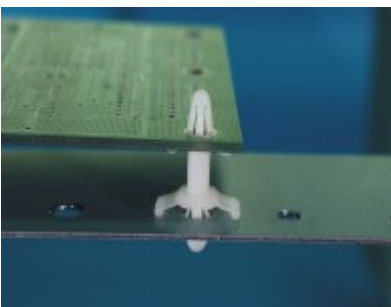
PCB HOLDER

LCS

MATERIAL: NYLON 66(UL)
 FLAME CLASS: 94V-2
 COLOR: NATURAL
 UNIT: mm



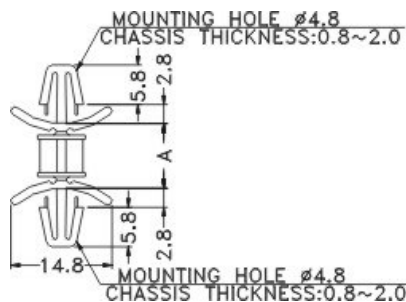
PART NO	A	PACKAGE
LCS-3	3.5	1000
LCS-5	4.8	
LCS-6	6.0	
LCS-6A	6.4	
LCS-8	7.9	
LCS-9	9.5	
LCS-11	11.1	
LCS-12	12.7	
LCS-16	15.9	
LCS-19	19.1	
LCS-22	22.2	
LCS-25	25.4	
LCS-28	28.6	
LCS-31	31.7	
LCS-35	34.9	



PCB HOLDER

LCBY

MATERIAL: NYLON 66(UL)
 FLAME CLASS: 94V-2
 COLOR: NATURAL
 UNIT: mm

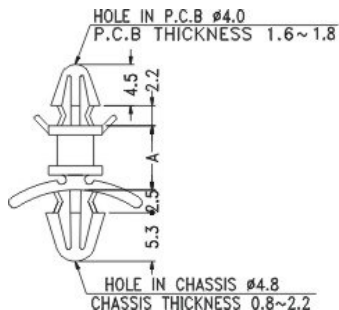


PART NO.	A	PACKAGE
LCBY-4.8	4.8	1000
LCBY-6.4	6.4	
LCBY-9.5	9.5	
LCBY-12.7	12.7	
LCBY-15.9	15.9	
LCBY-19.1	19.1	
LCBY-22.2	22.2	

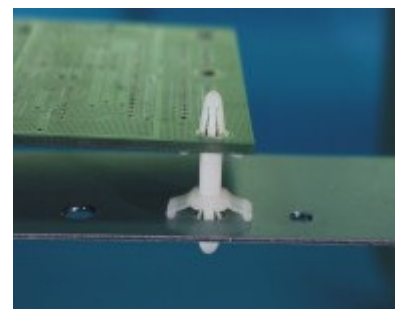
PCB HOLDER

LCBS

MATERIAL:NYLON 66(UL)
 FLAME CLASS:94V-2
 COLOR:NATURAL
 UNIT:mm



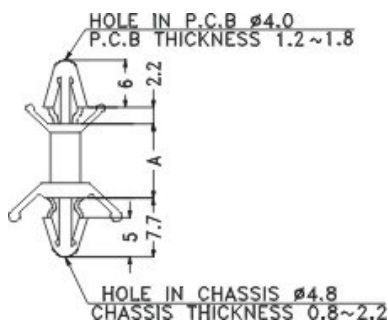
PART NO.	A	PACKAGE
LCBS-4	4.0	1000
LCBS-5	5.0	
LCBS-6	6.35	
LCBS-7	7.0	
LCBS-9	9.2	
LCBS-10	10.0	
LCBS-12	12.5	
LCBS-15	15.7	
LCBS-19	19.0	
LCBS-20	20.0	
LCBS-22	22.0	500
LCBS-25	25.4	
LCBS-28	28.6	
LCBS-30	30.0	
LCBS-35	35.0	
LCBS-38	38.0	
LCBS-45	45.0	



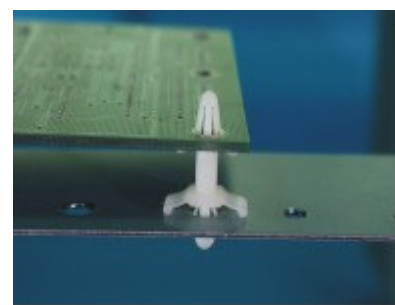
PCB HOLDER

CBS

MATERIAL:NYLON 66(UL)
 FLAME CLASS:94V-2
 COLOR:NATURAL
 UNIT:mm



PART NO	A	PACKAGE
CBS-5	4.6	1000
CBS-6	6.3	
CBS-8	8.0	
CBS-9	9.2	
CBS-12	12.5	
CBS-15	15.7	
CBS-19	19.0	
CBS-22	22.0	
CBS-25	25.4	
CBS-28	28.6	



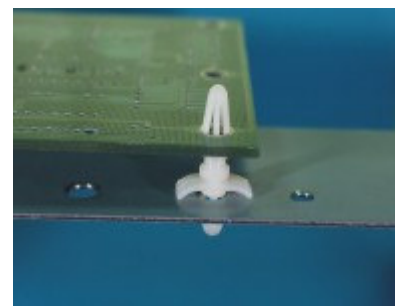
PCB HOLDER

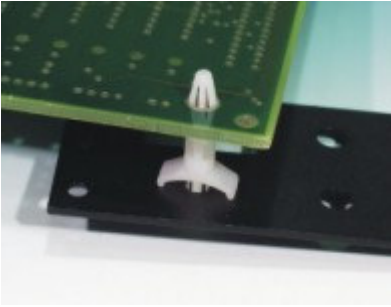
LCB

MATERIAL:NYLON 66(UL)
 FLAME CLASS:94V-2
 COLOR:NATURAL
 UNIT:mm



PART NO	A	PACKAGE
LCB-5	5.0	1000
LCB-6	6.3	
LCB-8	8.0	
LCB-10	10.0	
LCB-12	12.7	
LCB-15	15.9	
LCB-20	20.0	
LCB-25	25.0	

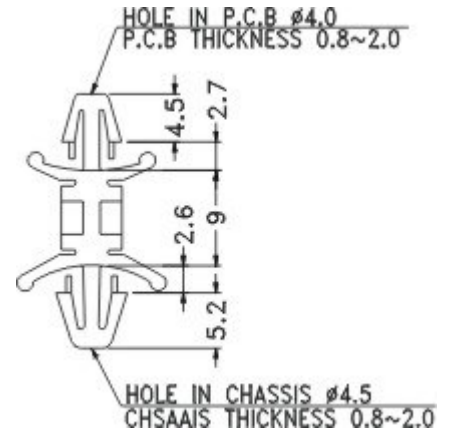




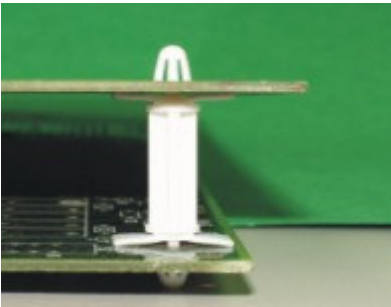
PCB HOLDER

LCT-9

MATERIAL: NYLON 66(UL)
 FLAME CLASS: 94V-2
 COLOR: NATURAL
 UNIT: mm



PART NO	PACKAGE
LCT-9	1000

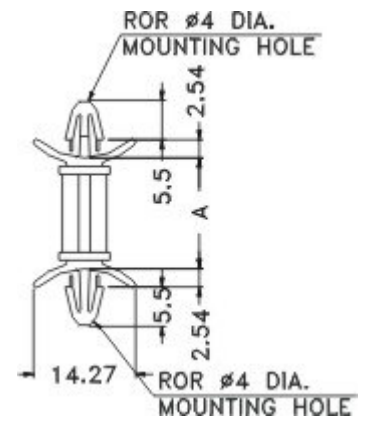


PCB HOLDER

LCEO

MATERIAL: NYLON 66(UL)
 FLAME CLASS: 94V-2
 COLOR: NATURAL
 UNIT: mm

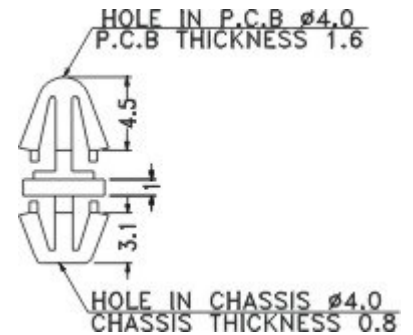
PART NO.	A	PACKAGE
LCEO-5	4.74	1000
LCEO-6	6.35	
LCEO-9	9.52	
LCEO-12	12.7	
LCEO-15	15.87	
LCEO-19	19.05	
LCEO-22	22.22	



PCB HOLDER

LCK

MATERIAL: NYLON 66(UL)
 FLAME CLASS: 94V-2
 COLOR: NATURAL
 UNIT: mm

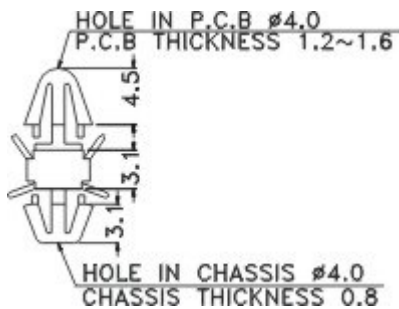


PART NO	PACKAGE
LCK-1	2000

PCB HOLDER

LCL-3.2

MATERIAL:NYLON 66(UL)
 FLAME CLASS:94V-2
 COLOR:NATURAL
 UNIT:mm

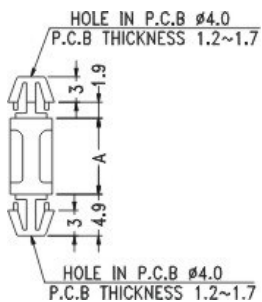


PART NO	PACKAGE
LCL-3.2	2000

PCB HOLDER

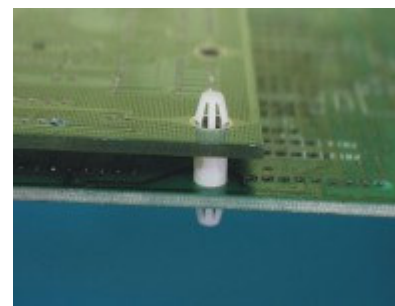
LCC

MATERIAL:NYLON 66(UL)
 FLAME CLASS:94V-2
 COLOR:NATURAL
 UNIT:mm



PART NO.	A	PACKAGE
★LCC-69	69.0	500
LCC-71	71.2	
LCC-72	72.0	
LCC-74	74.2	
LCC-80	80.0	

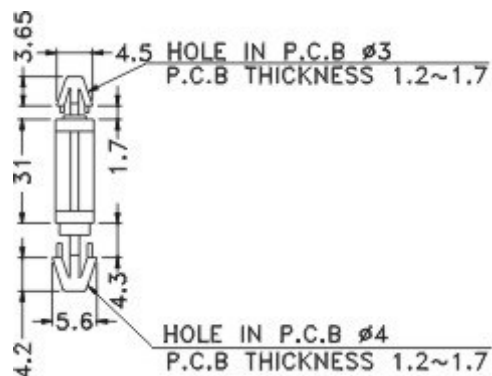
PART NO.	A	PACKAGE
★LCC-3S	3.0	2000
LCC-3	3.5	
★LCC-4	5.0	
LCC-5	5.0	
★LCC-6S	6.0	
LCC-6	6.4	1000
LCC-8	8.0	
★LCC-10S	10.0	
LCC-10	10.5	
LCC-11.5	11.5	
★LCC-12S	12.0	
LCC-12	12.7	
★LCC-14	14.0	
LCC-15	15.9	
★LCC-18	18.0	
LCC-19	19.0	
LCC-20	20.0	
LCC-25	25.0	
LCC-27	27.0	
LCC-30	30.0	
LCC-34	34.0	



PCB HOLDER

LCX-31

MATERIAL:NYLON 66(UL)
 FLAME CLASS:94V-2
 COLOR:NATURAL
 UNIT:mm



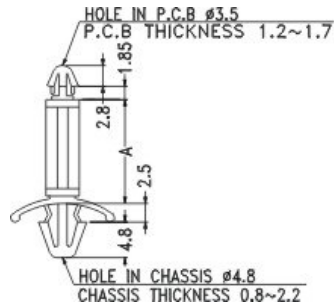
PARTNO	PACKAGE
LCX-31	2000



PCB HOLDER

LCBU

MATERIAL: NYLON 66(UL)
 FLAME CLASS: 94V-2
 COLOR: NATURAL
 UNIT: mm



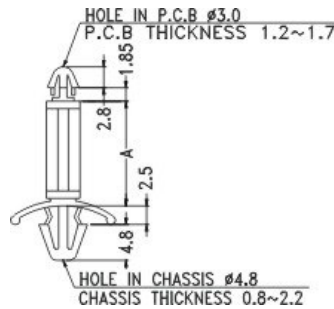
PART NO.	A	PACKAGE
LCBU-3	3.2	1000
LCBU-5	4.8	
LCBU-6	6.3	
LCBU-8	8.0	
LCBU-10	10.0	
LCBU-12	12.0	
LCBU-14	14.0	
LCBU-16	16.0	
LCBU-18	18.0	
★LCBU-25	25.0	



PCB HOLDER

LCBT

MATERIAL: NYLON 66(UL)
 FLAME CLASS: 94V-2
 COLOR: NATURAL
 UNIT: mm



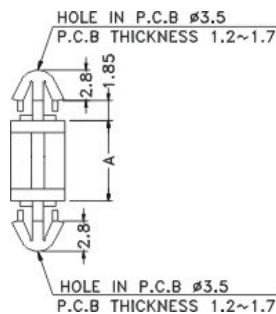
PART NO.	A	PACKAGE
LCBT-3	3.2	1000
LCBT-5	4.8	
LCBT-6	6.3	
LCBT-8	8.0	
LCBT-10	10.0	
LCBT-12	12.0	
LCBT-14	14.0	
LCBT-16	16.0	
LCBT-18	18.0	
LCBT-25	25.0	



PCB HOLDER

LCI

MATERIAL: NYLON 66(UL)
 FLAME CLASS: 94V-2
 COLOR: NATURAL
 UNIT: mm

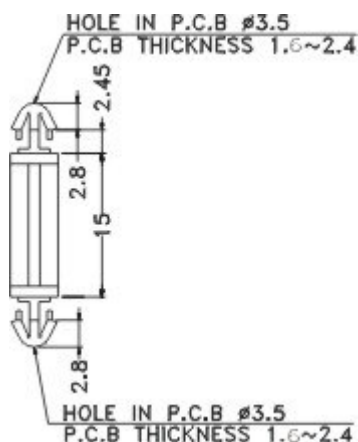


PART NO.	A	PACKAGE
LCI-2.5	2.5	2000
LCI-3	3.0	
LCI-3.5	3.5	
LCI-4	4.0	
LCI-4.5	4.5	
LCI-5	5.0	1000
LCI-5.5	5.5	
LCI-6	6.0	
LCI-6.5	6.35	
LCI-7	7.0	
LCI-8	8.0	
LCI-9	9.0	
LCI-10	10.0	
LCI-11	11.0	
LCI-12	12.0	
LCI-15	15.0	

PCB HOLDER

LCI-15(2)

MATERIAL:NYLON 66(UL)
 FLAME CLASS:94V-2
 COLOR:NATURAL
 UNIT:mm

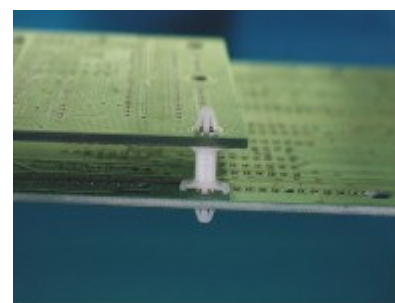
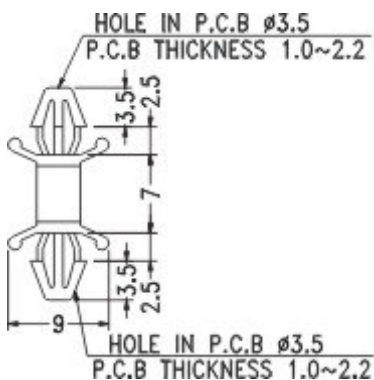


PARTNO	PACKAGE
LCI-15(2)	1000

PCB HOLDER

CBSS-7

MATERIAL:NYLON 66(UL)
 FLAME CLASS:94V-2
 COLOR:NATURAL
 UNIT:mm

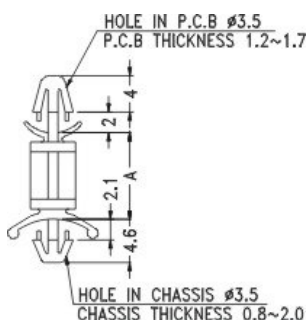


PART NO	PACKAGE
CBSS-7	2000

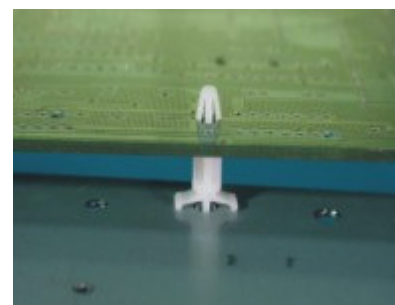
PCB HOLDER

LCD

MATERIAL:NYLON 66(UL)
 FLAME CLASS:94V-2
 COLOR:NATURAL
 UNIT:mm



PART NO.	A	PACKAGE
LCD-3	3.2	2000
LCD-4	4.0	
LCD-5	4.8	1000
LCD-6	6.4	
LCD-7	7.0	
LCD-8	8.0	
LCD-9	9.6	
LCD-11	11.2	
LCD-12	12.7	
LCD-16	16.0	
LCD-19	19.1	

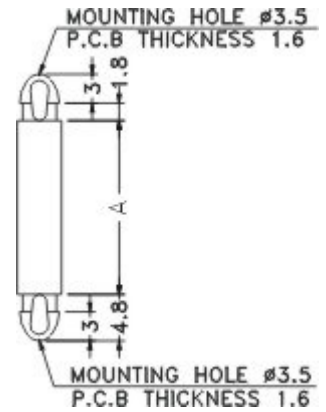




PCB HOLDER

MAF

MATERIAL:NYLON 66(UL)
 FLAME CLASS:94V-2
 COLOR:NATURAL
 UNIT:mm



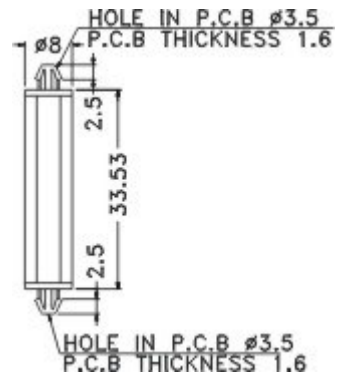
PART NO.	A	PACKAGE
MAF-6	6.0	1000
MAF-16	16.0	
MAF-18	18.0	



PCB HOLDER

LDE-33

MATERIAL:NYLON 66(UL)
 FLAME CLASS:94V-2
 COLOR:NATURAL
 UNIT:mm



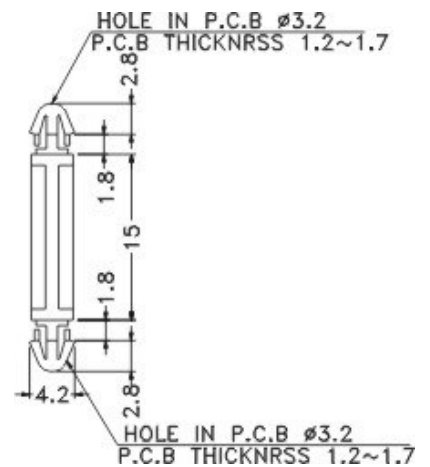
PARTNO	PACKAGE
LDE-33	1000



PCB HOLDER

LCJ-15

MATERIAL:NYLON 66(UL)
 FLAME CLASS:94V-2
 COLOR:NATURAL
 UNIT:mm

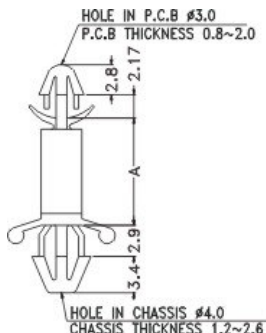


PARTNO	PACKAGE
LCJ-15	1000

PCB HOLDER

LCH

MATERIAL:NYLON 66(UL)
 FLAME CLASS:94V-2
 COLOR:NATURAL
 UNIT:mm



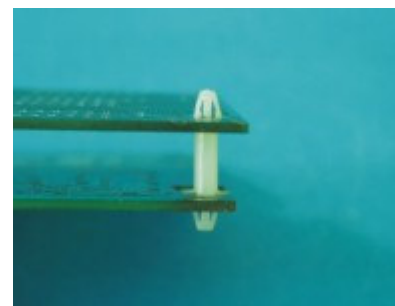
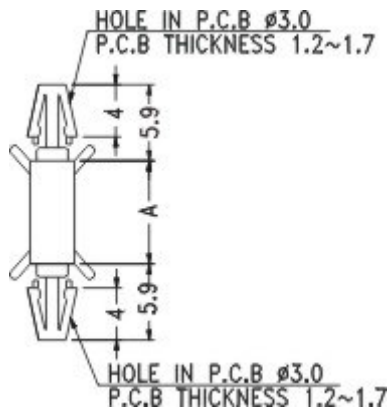
PARTNO	A	PACKAGE
LCH-3	3.5	2000
LCH-5	5.0	
LCH-6	6.3	1000
LCH-7	7.4	
LCH-10	10.0	
LCH-11	11.0	
LCH-12	12.7	
LCH-15	15.9	



PCB HOLDER

LCA

MATERIAL:NYLON 66(UL)
 FLAME CLASS:94V-2
 COLOR:NATURAL
 UNIT:mm

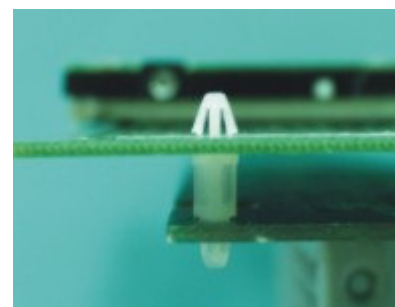
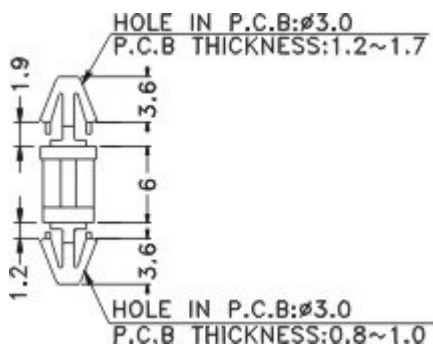


PARTNO	A	PACKAGE
LCA-6	6.3	1000
LCA-8	8.0	
LCA-10	10.0	
LCA-12	12.7	

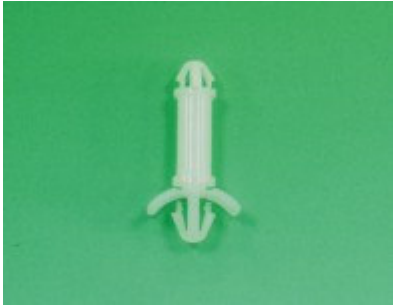
PCB HOLDER

LCV-6

MATERIAL:NYLON 66(UL)
 FLAME CLASS:94V-2
 COLOR:NATURAL
 UNIT:mm



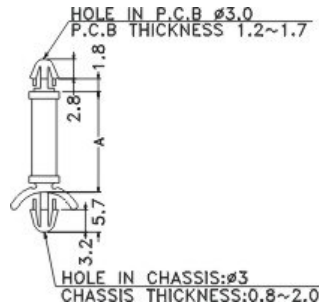
PARTNO	PACKAGE
LCV-6	1000



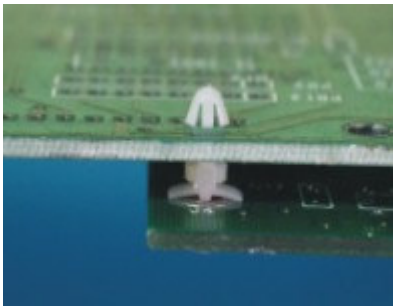
PCB HOLDER

LCG

MATERIAL: NYLON 66(UL)
 FLAME CLASS: 94V-2
 COLOR: NATURAL
 UNIT: mm



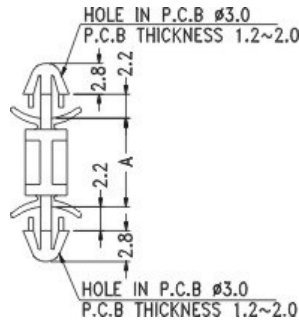
PART NO	A	PACKAGE
LCG-3	3.2	1000
LCG-5	4.8	
LCG-6	6.4	
LCG-8	7.9	
LCG-9	9.5	
LCG-11	11.1	
LCG-12	12.7	
LCG-14	14.3	
LCG-15	15.9	
LCG-19	19.0	



PCB HOLDER

LCF

MATERIAL: NYLON 66(UL)
 FLAME CLASS: 94V-2
 COLOR: NATURAL
 UNIT: mm



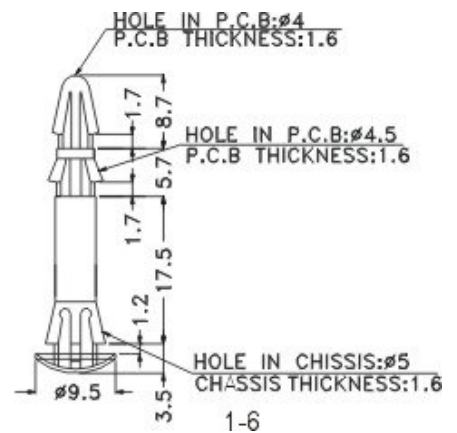
PART NO	A	PACKAGE
LCF-3	3.2	1000
LCF-5	5.0	
LCF-6	6.35	
LCF-7	7.0	
LCF-8	8.0	
LCF-9	9.5	
LCF-11	11.2	
LCF-12	12.0	
LCF-15	15.0	
★ LCF-16	16.0	
LCF-17	17.0	
LCF-20	20.2	
★ LCF-22	22.2	
LCF-25	25.4	



PCB HOLDER

DRCB-18

MATERIAL: NYLON 66(UL)
 FLAME CLASS: 94V-2
 COLOR: NATURAL
 UNIT: mm

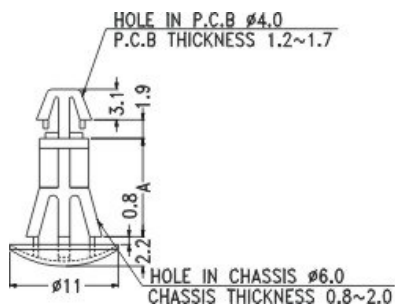


PARTNO	PACKAGE
DRCB-18	1000

PCB HOLDER

RCF

MATERIAL: NYLON 66(UL)
 FLAME CLASS: 94V-2
 COLOR: NATURAL
 UNIT: mm



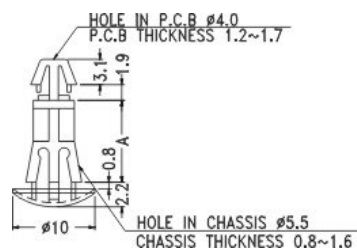
PART NO.	A	PACKAGE
RCF-5	5.0	2000
RCF-6	6.35	
RCF-8	8.0	1000
RCF-10	10.0	
RCF-12	12.7	
RCF-15	15.9	



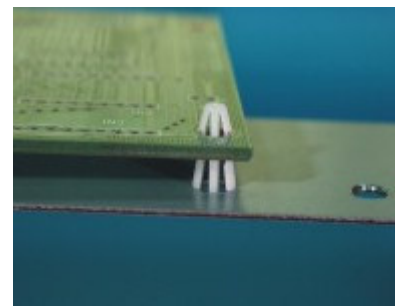
PCB HOLDER

RCM

MATERIAL: NYLON 66(UL)
 FLAME CLASS: 94V-2
 COLOR: NATURAL
 UNIT: mm



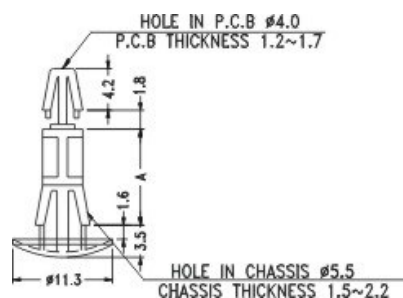
PART NO	A	PACKAGE
RCM-3	3.5	1000
RCM-3V0	3.5	
RCM-5	5.0	
RCM-6	6.35	
RCM-7	7.0	
RCM-8	8.0	
RCM-10	10.0	
RCM-12A	12.0	
RCM-12	12.7	
RCM-14	14.0	
RCM-16	15.9	
RCM-18	18.0	
RCM-19	19.0	500
RCM-22	21.7	
RCM-24	24.0	
RCM-25	25.4	
RCM-30	30.0	



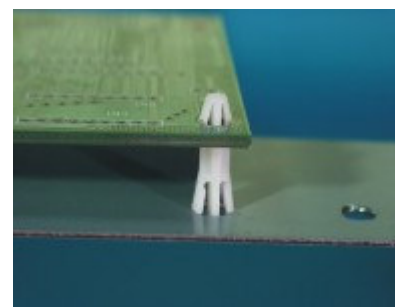
PCB HOLDER

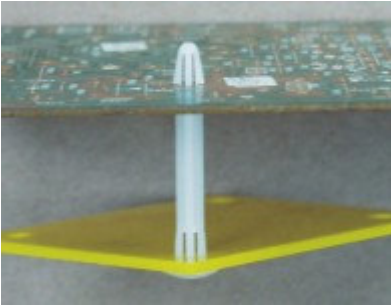
RCB

MATERIAL: NYLON 66(UL)
 FLAME CLASS: 94V-2
 COLOR: NATURAL/BLACK
 UNIT: mm



PART NO	A	PACKAGE
RCB-3	3.5	1000
RCB-5	5.0	
RCB-6	6.35	
RCB-8	8.0	
RCB-10	10.0	
RCB-12	12.7	
RCB-15	15.9	500
RCB-19	19.0	
RCB-25	25.4	
RCB-35	35.5	

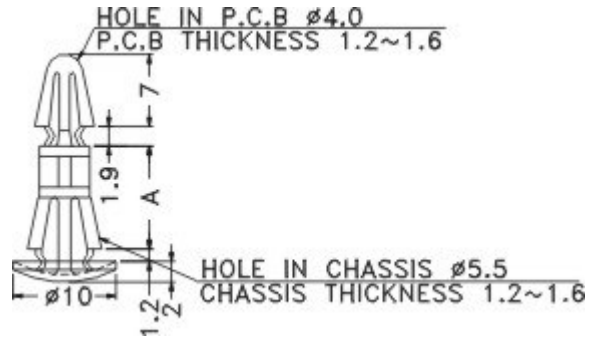




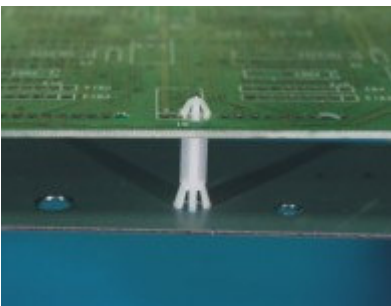
PCB HOLDER

RBT

MATERIAL: NYLON 66(UL)
 FLAME CLASS: 94V-2
 COLOR: NATURAL
 UNIT: mm



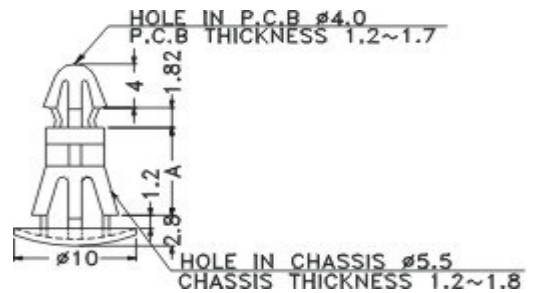
PART NO.	A	PACKAGE
RBT-19	19.0	1000
RBT-28.2	28.2	



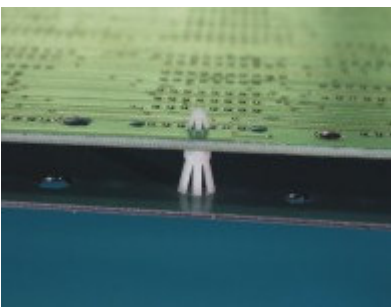
PCB HOLDER

RBS

MATERIAL: NYLON 66(UL)
 FLAME CLASS: 94V-2
 COLOR: NATURAL
 UNIT: mm



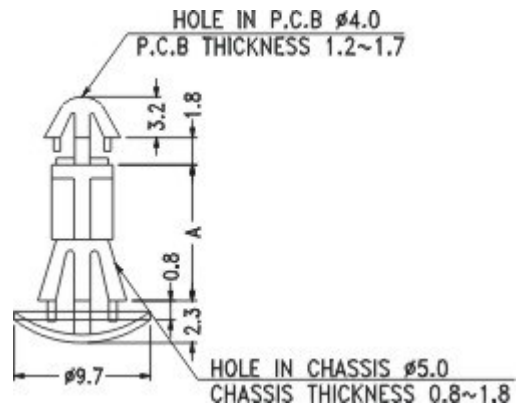
PART NO	A	PACKAGE
RBS-6	6.0	1000
RBS-7	7.0	
RBS-8	8.0	
RBS-10	10.0	
RBS-12	12.0	
RBS-14	14.0	
RBS-18	18.0	



PCB HOLDER

RCS

MATERIAL: NYLON 66(UL)
 FLAME CLASS: 94V-2
 COLOR: NATURAL
 UNIT: mm

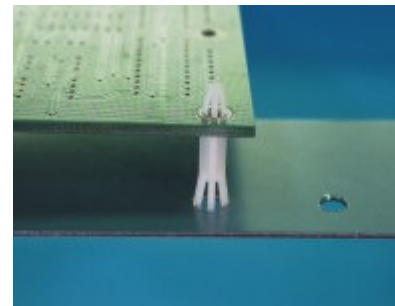
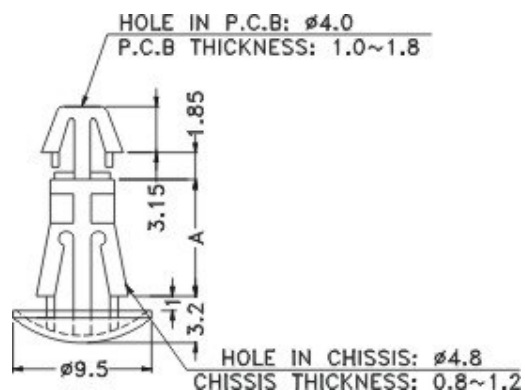


PART NO	A	PACKAGE
RCS-6	6	1000
RCS-16	16	

PCB HOLDER

RCD

MATERIAL:NYLON 66(UL)
 FLAME CLASS:94V-2
 COLOR:NATURAL
 UNIT:mm

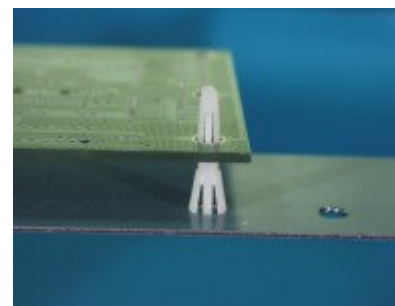
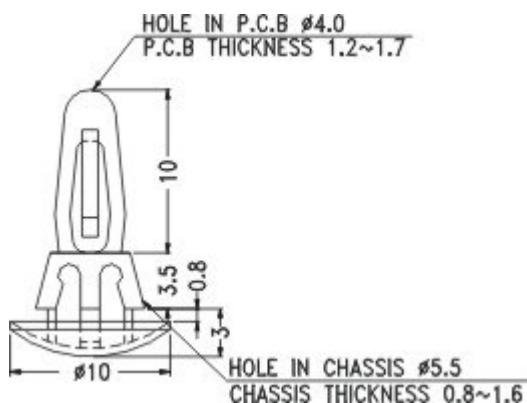


PARTNO	A	PACKAGE
RCD-3	3.0	2000
RCD-6	6.3	
RCD-8	8.0	
RCD-10	10.0	
RCD-11	11.0	

PCB HOLDER

PCBS-3

MATERIAL:NYLON 66(UL)
 FLAME CLASS:94V-2
 COLOR:NATURAL
 UNIT:mm

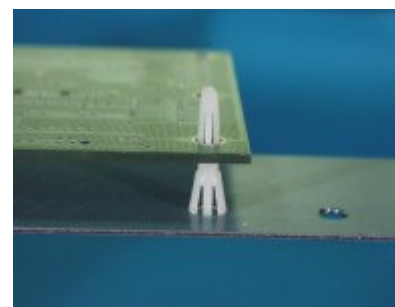
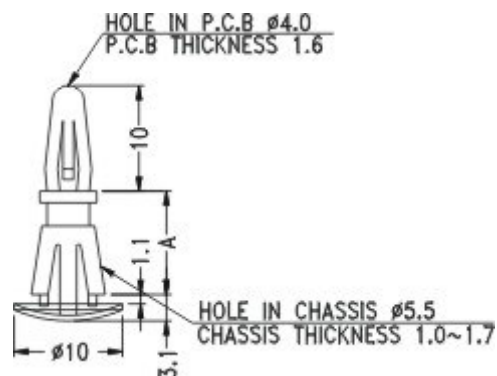


PARTNO	PACKAGE
PCBS-3	1000

PCB HOLDER

PCBS

MATERIAL:NYLON 66(UL)
 FLAME CLASS:94V-2
 COLOR:NATURAL
 UNIT:mm



PART NO	A	PACKAGE
PCBS-6	6.3	1000
PCBS-10	10.0	
PCBS-12A	12.0	
PCBS-12	12.7	

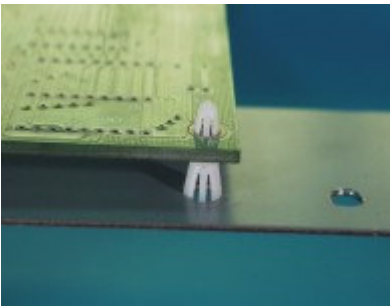
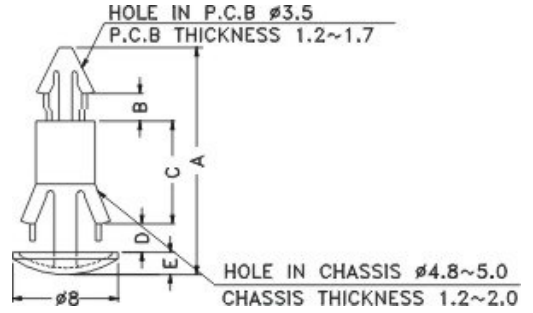


PCB HOLDER

RCT

MATERIAL:NYLON 66(UL)
 FLAME CLASS:94V-2
 COLOR:NATURAL
 UNIT:mm

PART NO.	A	B	C	D	E	PACKAGE
RCT-4.5	13.6	2.1	4.5	2.17	1.7	1000
RCT-8	17.0	2.1	7.9	2.17	1.7	

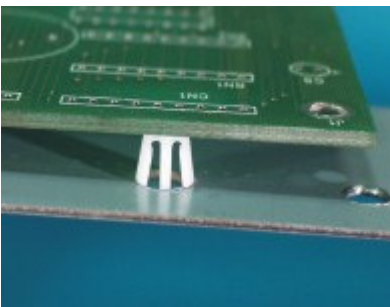
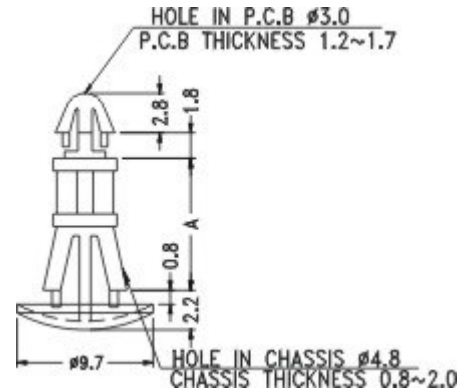


PCB HOLDER

RCC

MATERIAL:NYLON 66(UL)
 FLAME CLASS:94V-2
 COLOR:NATURAL
 UNIT:mm

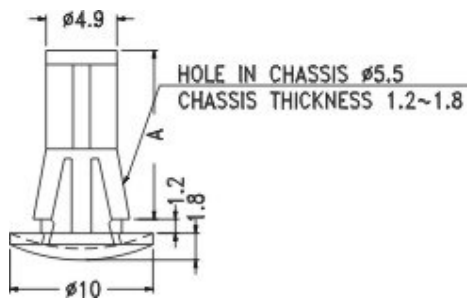
PART NO	A	PACKAGE
RCC-5	5.0	2000
RCC-6	6.3	
RCC-8	8.0	1000
RCC-10	10.0	
RCC-12	12.7	



PCB HOLDER

RAS

MATERIAL:NYLON 66(UL)
 FLAME CLASS:94V-2
 COLOR:NATURAL
 UNIT:mm

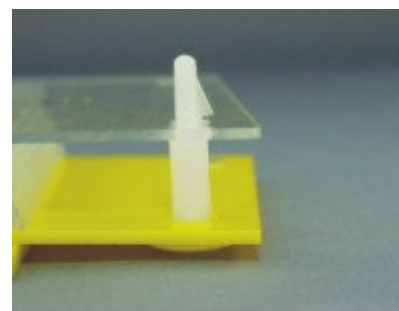
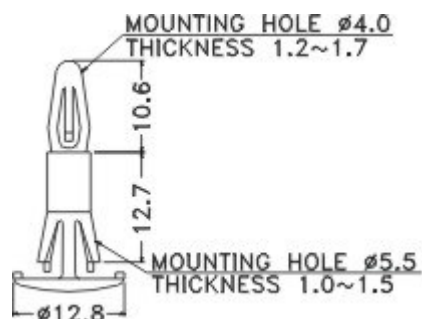


PARTNO	A	PACKAGE
RAS-5	5.4	1000
RAS-6	6.0	
RAS-7	7.0	
RAS-8	8.0	
RAS-10	10.0	
RAS-12	12.0	
RAS-14	14.0	
RAS-18	18.0	

PCB HOLDER

RCR-12.7

MATERIAL: NYLON 66(UL)
 FLAME CLASS: 94V-2
 COLOR: NATURAL
 UNIT: mm

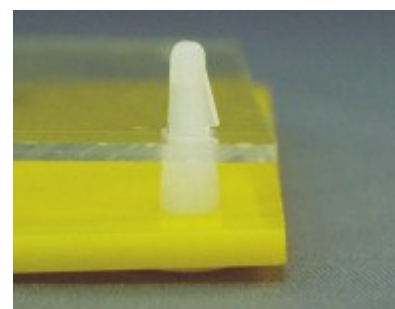
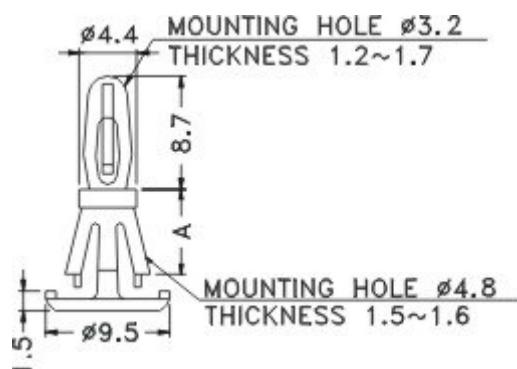


PARTNO	PACKAGE
RCR-12.7	1000

PCB HOLDER

RCW

MATERIAL: NYLON 66(UL)
 FLAME CLASS: 94V-2
 COLOR: NATURAL
 UNIT: mm

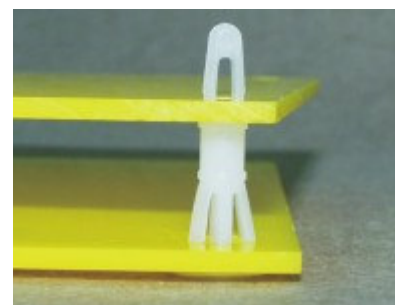
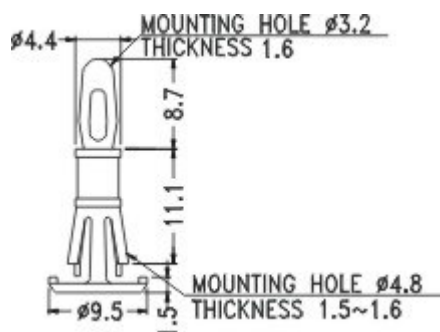


PARTNO	A	PACKAGE
RCW-6.5	6.5	1000
RCW-9.7	9.7	

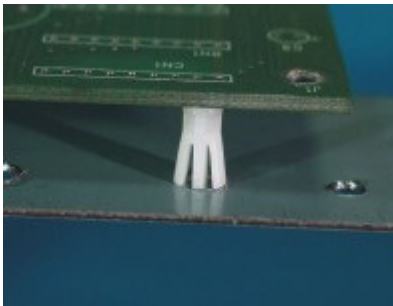
PCB HOLDER

RCV-11.1

MATERIAL: NYLON 66(UL)
 FLAME CLASS: 94V-2
 COLOR: NATURAL
 UNIT: mm



PARTNO	PACKAGE
RCV-11.1	1000



PCB HOLDER

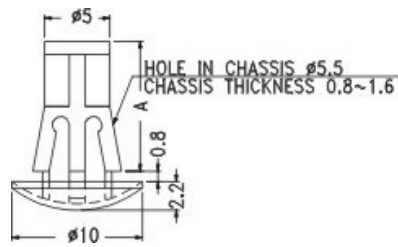
RAM

MATERIAL: NYLON 66(UL)

FLAME CLASS: 94V-2

COLOR: NATURAL

UNIT: mm



PART NO	A	PACKAGE
RAM-3	3.5	1000
RAM-5	5.0	
RAM-6	6.35	
RAM-7	7.0	
RAM-8	8.0	
RAM-10	10.0	
RAM-12A	12.0	
RAM-12	12.7	
RAM-14	14.0	
RAM-16	15.9	
RAM-18	18.0	
RAM-19	19.0	
RAM-25	25.4	
RAM-30	30.0	